

FIBER OPTIC PATCH CORD

Single-mode Duplex



■ Features:

Low insertion loss, high return loss
Durability: $\leq 0.3\text{dB}$ after 1000 cycles

High credibility and stability
Good in repeatability and exchangeability

■ Application:

Testing equipment, FTTX+LAN, Optical fiber CATV, Telecommunication



Optical test equipment



Optical fiber communication room



Optical fiber sensor



Optical fiber connection transmission equipment

■ Specification:

No	Parameter	Unit	LC, SC, FC	
			SM	
			UPC	APC
1	Insertion loss(typical)	dB	≤0.3	≤0.3
2	Return loss	dB	≥55	≥65
3	Operating wavelength	nm	1310, 1550	
4	Exchangeability	dB	≤0.2	
5	Vibration	dB	≤0.2	
6	Operating temperature	°C	-40~75	
7	Storage temperature	°C	-45~85	
8	Cable diameter	mm	φ3.0, φ2.0, φ 0.9	
9	Operating tensile strength	N	100	
10	Installing tensile strength	N	200	
11	Long-term crush strength	N/cm	100	
12	Short-term crush strength	N/cm	550	
13	Minimum of bending radius	mm	10D	
14	Warranty	Year	1	

■ Ordering Information:

Connector Type : FC, SC, LC, ST, MTRJ, MU, MPO, DIN, D4

Ferrule End-face : PC, UPC, APC;

Core Type : Single-mode(SM:9/125μm), Multi-mode (MM:50/125μm or 62.5/125μm), ITU-T G.652D/ G.655/ G.657;

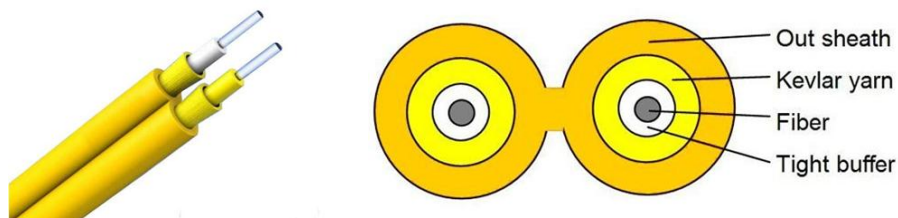
Cable Quantity : “SX”means simplex, ”DX”means duplex;

Cable Diameter : Φ3.0mm, Φ2.0mm, Φ0.9mm;

Cable Length : 1, 2, 3 meter or customized

Cable Type: PVC, LSZH, OFNR

■ Fiber Optic Cable :



2.0mm cable , G652D Fiber

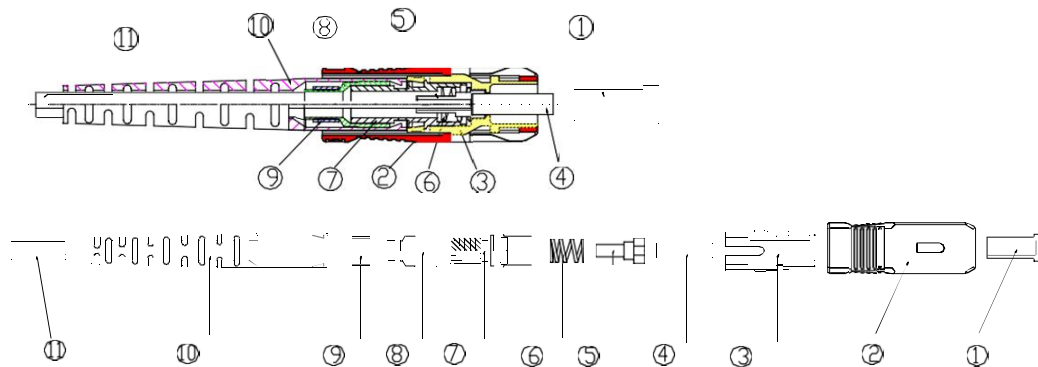


3.0mm Premium

SC Connector

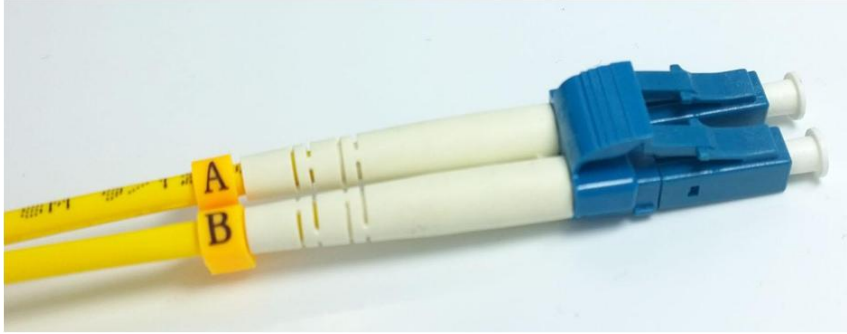
SC Type With plug-in locking structure . The housing is made of rectangular structure . And with engineering plastics manufacturing.It is easy to make multi-fiber connector.The ferrule is the outside diameter of 2.5mm precision zirconia Ferrule .The main feature is not threaded connection.And direct plug, a small operating space, easy to install dense.

The type of SC is mainly for fiber access networks,digital communications systems,installation of high-density distribution frame and etc.

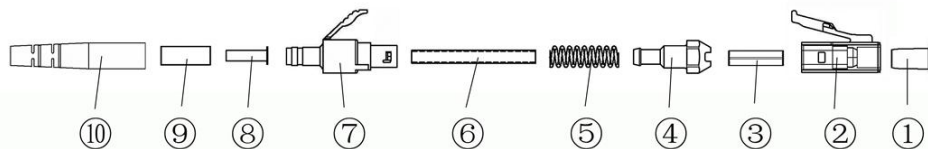


CY COM Product Material : **SC 3.0 Type**

- ① Dust Caps: LDPE , transparent (RoHS)
- ② Plug Housing : PBT , UPC/Blue, APC/Green,MM/Beige (RoHS)
- ③ Inner Frame : PBT , White (RoHS)
- ④ Ferrule : Zirconium Oxide Ceramic Material ,White (RoHS)
- ⑤ Ferrule's Handle: Copper(C3602),Nickelage (RoHS)
- ⑥ Mechanical Spring : Stainless Steel (RoHS)
- ⑦ Locating Snap Ring : Copper Alloy(HPD59-1),Nickelage (RoHS)
- ⑧ Snap Ring : Aluminium Alloy 6063 (RoHS)
- ⑨ Ring : Copper Alloy(HPD62),Nickelage (RoHS)
- ⑩ Boot : Nylon or PBT, UPC/Blue, APC/Green,MM/Beige
- ⑪ Cable : SM/OM1/OM2/OM3/OM4 , PVC/LSZH/OFNR,etc



LC Type With a small plug-in connector locking structure . The housing is made of rectangular structure . And with engineering plastics manufacturing have push button.The outside diameter of the ferrule is 1.25mm.The shape and the size also are reduced.The connector is improving the density in the fiber optic distribution frame.



LC 2.0/3.0 Type

CY COM Product Material :

- ① Dust Caps: PE ,white/green (RoHS)
- ② Front Housing : PE,UPC/blue,APC/green,MM/Beige (RoHS)
- ③ Ferrule : Zirconium Oxide Ceramic Material ,White (RoHS)
- ④ Ferrule's Handle : Copper(C3602),Nickelage (RoHS)
- ⑤ Mechanical Spring : Stainless Steel (RoHS)
- ⑥ High-pressure Tube : Plastic
- ⑦ Rear Housing(PBT)+Aluminum Tube(AL6061)
- ⑧ Rivet
- ⑨ Aluminum Tube : Aluminum Alloy
- ⑩ Boot : UPC/White, APC/Green

Ordering information

- ① PN: LCUPC-LCUPC-SM-DX-2.0-10M (*Patchcord single mode, duplex LC/UPC - LC/UPC 10m*)
- ② PN: LCUPC-LCUPC-SM-DX-2.0-20M (*Patchcord single mode, duplex LC/UPC - LC/UPC 20m*)
- ③ PN: LCAPC-LCAPC-SM-DX-2.0-10M (*Patchcord single mode, duplex LC/APC - LC/APC 10m*)
- ④ PN: LCUPC-SCUPC-SM-DX-2.0-10M (*Patchcord single mode, duplex LC/UPC - SC/UPC 10m*)
- ⑤ PN: LCAPC-SCAPC-SM-DX-2.0-10M (*Patchcord single mode, duplex LC/APC - SC/APC 10m*)
- ⑥ PN: LCUPC-SCAPC-SM-DX-2.0-10M (*Patchcord single mode, duplex LC/UPC - SC/APC 10m*)
- ⑦ PN: SCAPC-SCAPC-SM-DX-2.0-10M (*Patchcord single mode, duplex SC/APC - SC/APC 10m*)
- ⑧ PN: SCUPC-SCAPC-SM-DX-2.0-10M (*Patchcord single mode, duplex SC/UPC - SC/APC 10m*)