

Butterfly Valve, Metal

Construction

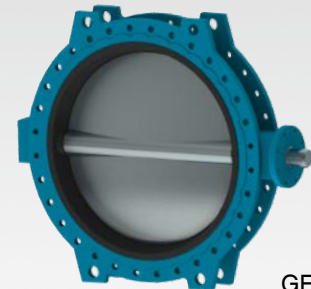
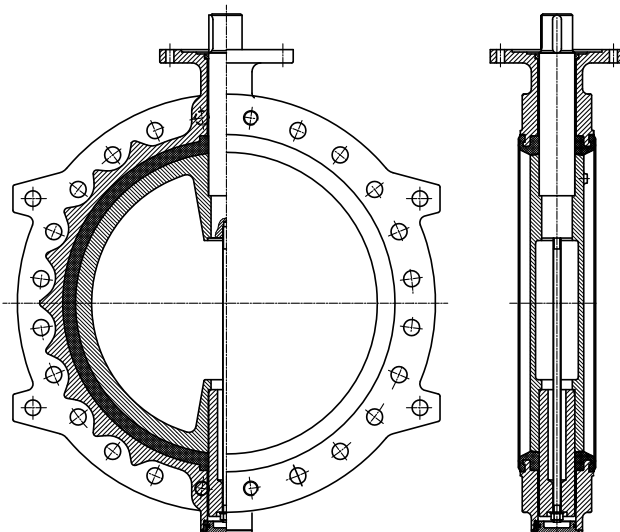
GEMÜ C480 is a soft seated butterfly valve with various versions. It is available in nominal sizes DN 700 – 1600, various body versions (Wafer, Lug and U section) and in a large number of seal and body materials. The butterfly valve can be supplied with various operators: manual with gear-box, pneumatic actuator, motorized on/off or control actuator.

Features

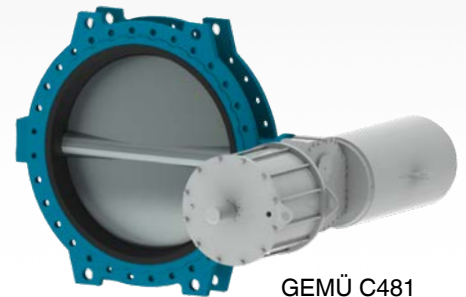
- Suitable for liquid and gaseous media in industrial applications as well as for water treatment
- The top flange is standardized acc. to EN ISO 5211
- Due to the special seal contour of the liner in the flange area no separate gasket is required.
- Self-lubricating shaft bearings made of PTFE coated metal bushes.
- The shaft mounted in bearings provides a stable shaft guide.
- The (spline) shaft inside the disc is completely isolated from the working medium.
- Body material: EN-GJS-400-15 (GGG 40), epoxy coated (250 µm)
- Replaceable liner for isolating the working medium from body and spindle.
- Lenticular shaped disc for good flow capability.
- Reduced leakage and corrosion risk as the spindle is not fixed in the disc by grub screws.
- Concentric disc allows bi-directional shut-off.
- High stability and low weight even for larger diameters.
- The butterfly valve complies with the safety requirements of Annex I of the European Pressure Equipment Directive 2014/68/EU for fluids of group 1 + 2
- Drinking water approval ACS



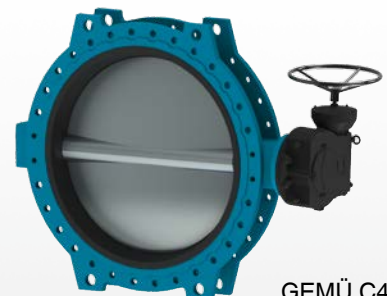
Sectional view



GEMÜ C480



GEMÜ C481



GEMÜ C487



GEMÜ C488

Technical data

Working medium

Gaseous and liquid media which have no negative impact on the physical and chemical properties of the disc and seat material.

Ambient conditions

Max. permissible ambient temperature -10 to 70 °C

Max. perm. temp. of working medium

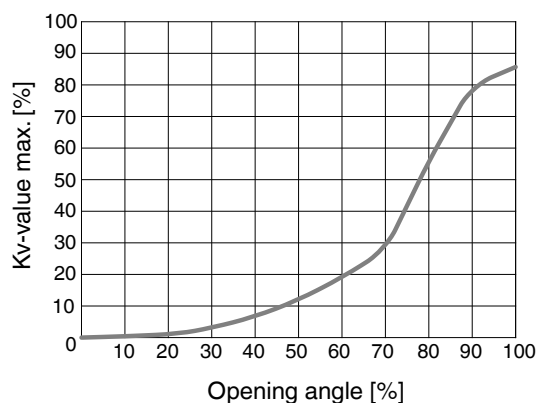
Seat material EPDM -10 to 95 °C

Seat material NBR -15 to 80 °C

Other temperatures on request

No water hammer permissible

Flow diagram



Torque

DN	INCH	[Nm]					Actuator *	
		DIN	ASME	PS 3	PS 6	PS 10		PS 16
700	28"			2040	2640	3000	3900	5000
750	30"			2220	3000	3420	4440	6000
800	32"			2400	3240	3840	4992	6500
900	36"			3240	4320	5520	8034	8000
1000	40"			4800	6240	7800	14040	16000
1100	44"			6120	8160	10200	16848	13000 (22000)**
1200	48"			8640	11400	14400	19656	14000 (25000)**
1300	52"			9600	12600	15840	22200	15000 (25000)**
1400	56"			14400	16320	20400	31200	16000 (32000)**
1600	64"			23400	30000	36000	46800	60000

* Maximum permissible torque (actuator)

** (Connection flange F35)

Weight [kg]

DN	INCH	Weight [kg]				
		DIN	ASME	U-Section	Lug	Wafer
700	28"			350	280	215
750	30"			405	370	275
800	32"			466	400	310
900	36"			670	555	450
1000	40"			718	665	530
1100	44"			990	-	-
1200	48"			1163	-	-
1300	52"			1514	-	-
1400	56"			1572	-	-
1600	64"			2325	-	-

Kv values [m³/h]

DN	INCH	Opening angle									
		DIN	ASME	20°	30°	40°	50°	60°	70°	80°	90°
700	28"			991	2053	3358	6141	9423	17690	30570	33380
750	30"			1173	2353	3918	7151	10100	20675	35645	39170
800	32"			1336	2713	4726	8294	12903	24264	40948	45100
900	36"			1763	3559	5897	10594	16313	30405	52025	57895
1000	40"			2112	4220	7096	12786	19960	37745	64680	71530
1100	44"			2629	5470	9181	14746	23976	44306	75273	87175
1200	48"			3233	6484	10897	19818	30400	57316	97590	107482
1300	52"			4099	7613	14202	25770	40016	75640	129815	146240
1400	56"			4418	7652	14320	26076	40625	77195	132915	150185
1600	64"			6452	11828	22042	39676	61715	116660	200203	225792

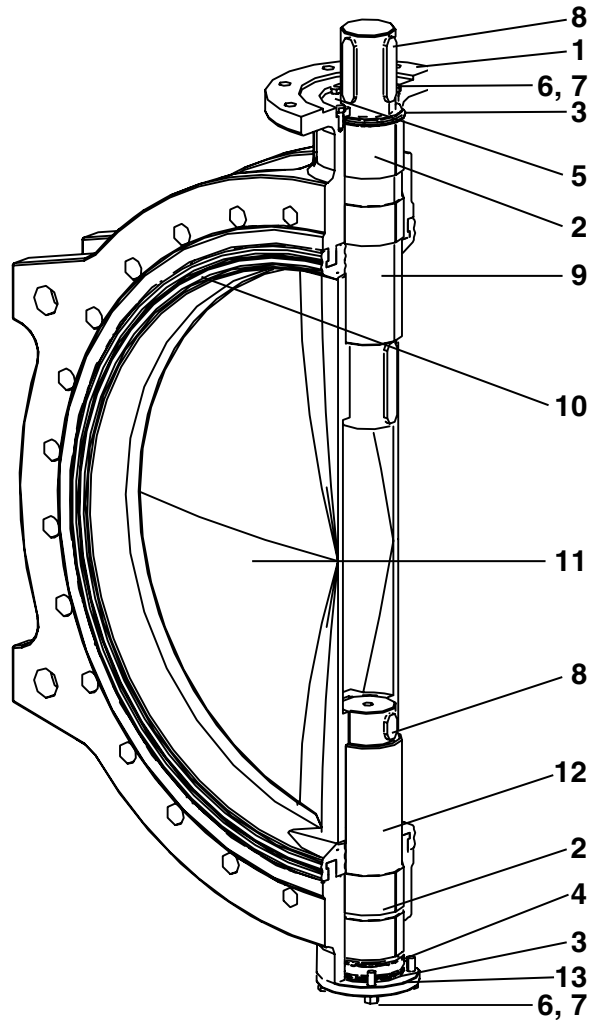
When the opening angle is below 30° no regulation should be made.

*Working medium water (20 °C) and optimal operating conditions.

Availability table

Connection	Code	Nominal size									
		700	750	800	900	1000	1100	1200	1300	1400	1600
PN 6	1	X	-	X	X	X	-	X	-	X	X
PN 10	2	X	X	X	X	X	X	X	-	X	X
PN 16	3	X	X	X	X	X	X	X	-	X	X
PN 25	5	X	-	X	X	X	X	X	-	-	-
ASME B16.47 A cl. 150	E	X	X	X	X	X	X	X	X	X	-
AWWA C207 cl. D	W	X	X	X	X	X	X	X	X	-	-

Parts list / Materials



Pos.	Name	Material
1	Body	EN-GJS-400-15 (GGG 40), Epoxy coated (250 µm)
2	Bush	Stainless steel 316 + PTFE
3	O-ring	NBR
4	Bearing	Cast bronze
5	Gland	Stainless steel AISI 420
6	Bolt	Stainless steel A2-70
7	Washer	Stainless steel
8	Key	Steel
9	Upper Stem	1.4028 Stainless steel AISI 420
10	Seat	EPDM, NBR
11	Disc	- 1.4408 Stainless steel CF8M - 1.4469 Super Duplex - EN-GJS-400-15, GGG40, Epoxy coated (250 µm) - EN-GJS-400-15, GGG40, Halar coated (600 µm) - EN-GJS-400-15, GGG40, Rilsan coated (200 µm)
12	Lower Stem	1.4028 Stainless steel AISI 420
13	Bottom Cap	EN-GJS-400-15

Order data

1 Type	Code
Butterfly valve with bare shaft	C480
Butterfly valve with pneumatic actuator	C481
Butterfly valve with manual operator	C487

2 Nominal size	Code
DN 700	700
DN 750	750
DN 800	800
DN 900	900
DN 1000	1T0
DN 1100	1T1
DN 1200	1T2
DN 1300	1T3
DN 1400	1T4
DN 1600	1T6

3 Body configuration	Code
Wafer	W
Lug	L
U section	U

4 Operating pressure	Code
PS 3 bar	0
PS 6 bar	1
PS 10 bar	2
PS 16 bar	3
Reduced operating pressures on request	

5 Connection	Code
EN 1092, PN 6	1
EN 1092, PN 10	2
EN 1092, PN 16	3
EN 1092, PN 25	5
ASME B16.47 A CLASS 150	E
AWWA C207	W

6 Body material	Code
EN-GJS-400-15 (GGG 40), Epoxy coated (250 µm)	2

7 Disc material	Code
1.4408 Investment casting	A
1.4469 Duplex	D
EN-GJS-400-15 (GGG 40), Resicoat R4-ES coated 250µm, Epoxy	E
EN-GJS-400-15 (GGG 40), Halar coated (600µm)	P
EN-GJS-400-15, GGG40, Rilsan coated (200 µm)	R

8 Shaft material	Code
AISI 420 / 1.4021	1

9 Seat (liner) material	Code
EPDM (ACS)	A
EPDM	E
NBR	N
EPDM (WRAS)	W

10 Liner fixing	Code
Loose liner (standard)	L

11 Control function	Code
Butterfly valve with bare shaft Type C480	F
Butterfly valve with manual operator Type C487	0
Normally closed (NC), Type C481	1
Normally open (NO), Type C481	2
Double acting (DA), Type C481	3

12 Operator size	Code
C480	see page 8
C481	see pages 13 - 16
C487	see page 17

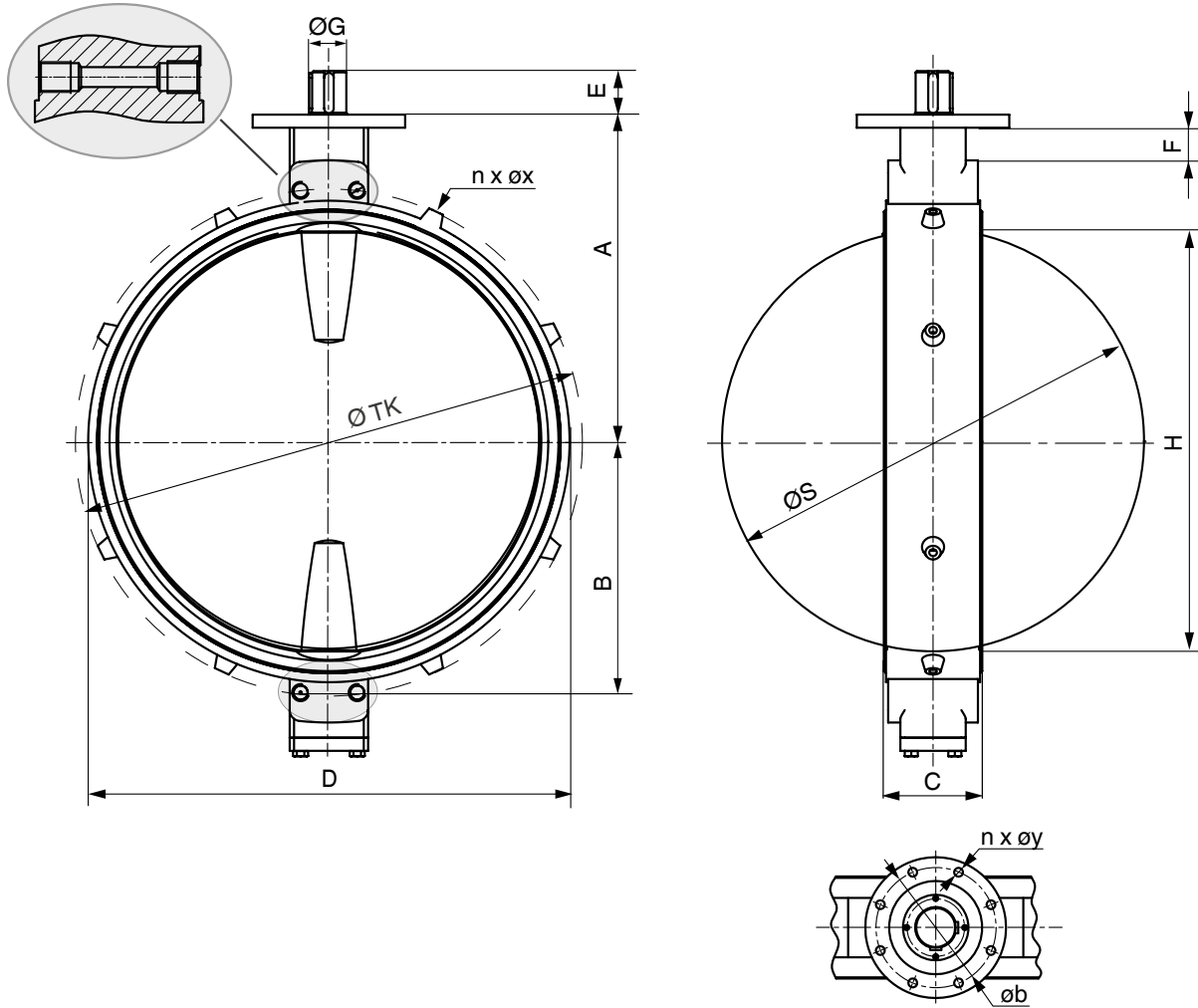
Order example	1	2	3	4	5	6	7	8	9	10	11	12
Code	C480	700	U	2	2	2	A	1	E	L	F	F25 V 70

Other versions and materials on request

Body dimensions [mm]

Body configuration - Wafer (Code W)

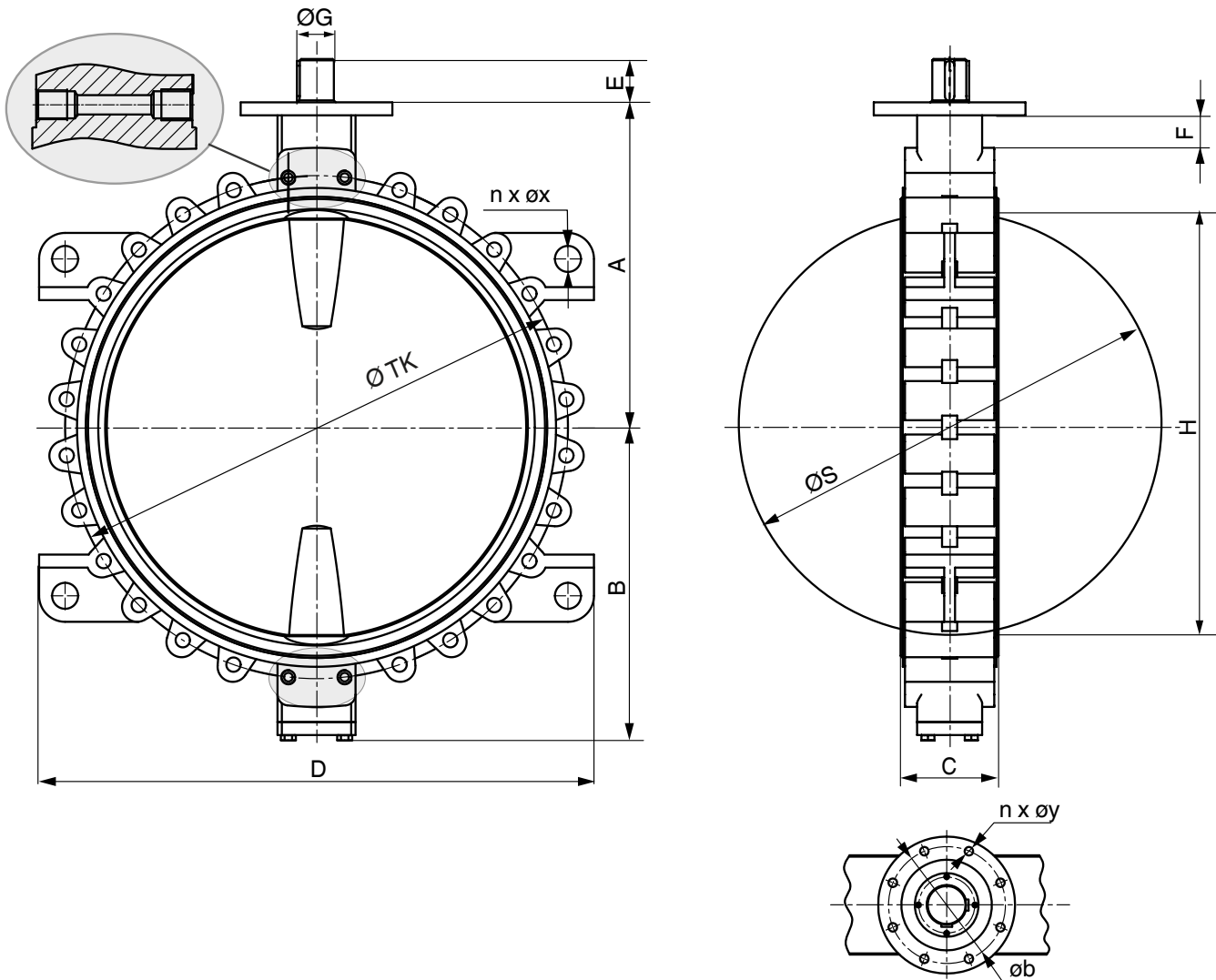
DN	INCH	A	B	C	D	E	F	ØG	H	ØS	ØTK	Connection flange acc. to ISO 5211	Øb	n x øx	n x øy
700	28"	570	518	165	780	80	70	70	676	680	see mounting dimensions	F25	254	4 x M20	8 x 18
800	32"	640	567	190	890	80	80	70	750	775		F25	254	4 x M20	8 x 18
900	36"	700	650	203	1000	100	85	80	855	880		F25	254	8 x M20	8 x 18
1000	40"	750	715	216	1105	100	75	80	950	975		F30	298	8 x M20	8 x 22



Body dimensions [mm]

Body configuration - Lug (Code L)

DN	INCH	A	B	C	D	E	F	ØG	H	ØS	ØTK	Connection flange acc. to ISO 5211	Øb	n x øy	n x øx
700	28"	570	518	165	940	80	70	70	676	680	see mounting dimensions	F25	254	8 x 18	4 x 30
800	32"	640	567	190	1040	80	80	70	750	775		F25	254	8 x 18	4 x 50
900	36"	700	650	203	1180	100	85	80	855	880		F25	254	8 x 18	4 x 60
1000	40"	750	715	216	1280	100	75	80	950	975		F30	298	8 x 22	4 x 60

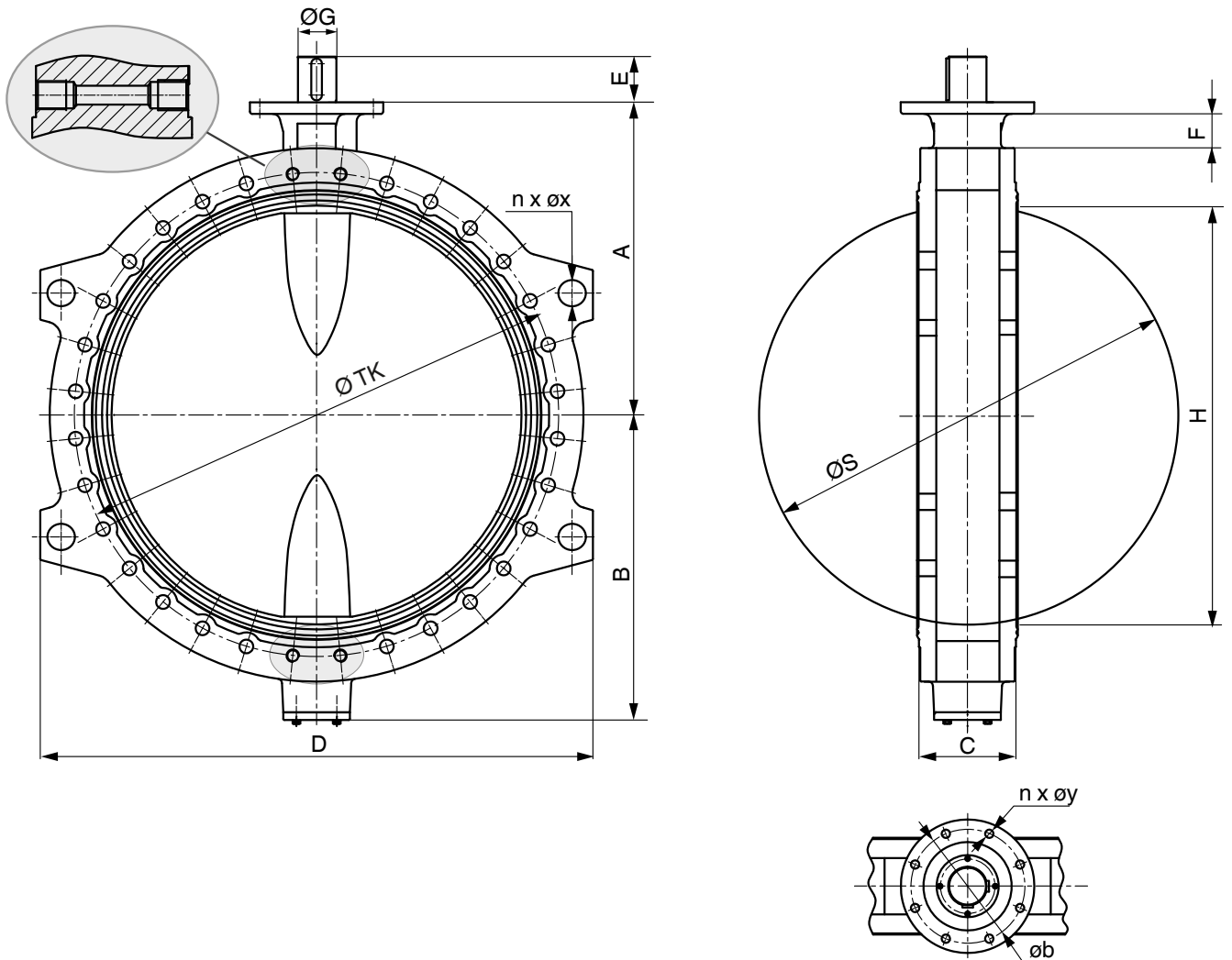


Body dimensions [mm]

Body configuration - U section (Code U)

DN	INCH	A	B	C	D	E	F	ØG	H	ØS	ØTK	Connection flange acc. to ISO 5211	Øb	n x øy
700	28"	570	518	165	960	80	70	70	676	680	see mounting dimensions	F25	254	8 x 18
800	32"	640	567	190	1084	80	80	70	750	775		F25	254	8 x 18
900	36"	700	650	203	1194	100	85	80	855	880		F25	254	8 x 18
1000	40"	750	715	216	1320	100	75	80	950	975		F30	298	8 x 22
1100	44"	821	812	254	1450	120	90	80	1045	1078		F30 (F35*)	298 (356*)	8 x 22 (8 x 32*)
1200	48"	870	861	254	1520	120	96	100	1145	1175		F30 (F35*)	298 (356*)	8 x 22 (8 x 32*)
1300	52"	960	935	276	1690	120	115	100	1246	1278		F30 (F35*)	298 (356*)	8 x 22 (8 x 32*)
1400	56"	1014	1009	279	1730	140	140	120	1355	1385		F30 (F35*)	298 (356*)	8 x 22 (8 x 32*)
1600	64"	1170	1148	318	1964	180	183	130	1535	1570		F40	406	8 x 38

* (optional)



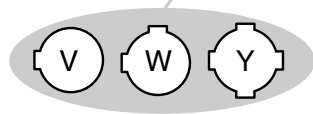
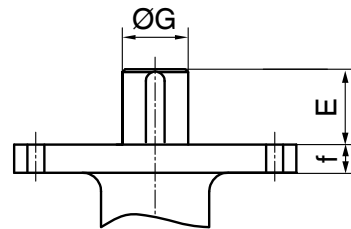
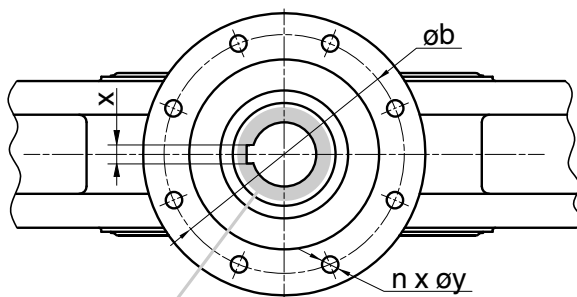
Connection dimensions - GEMÜ C480 butterfly valve with bare shaft [mm]

Operator flange

DN	INCH	Connection flange acc. to ISO 5211	Øb	Øf	Shaft connection	ØG	E	No. of bolt holes n	øy	x	Code
700	28"	F25	254	30	V	70	80	8	18	20	F25 V 70
750	30"	F25	254	30	V	70	80	8	18	20	F25 V 70
800	32"	F25	254	30	V	70	80	8	18	20	F25 V 70
900	36"	F25	254	30	W	80	100	8	18	22	F25 W 80
1000	40"	F30	298	30	W	80	100	8	22	22	F30 W 80 (F35 ²⁾)
1100	44"	F30 (F35 ²⁾)	298 (356 ²⁾)	30	W	100	100	8	22	28	F30 W 100 (F35 ²⁾)
1200	48"	F30 (F35 ²⁾)	298 (356 ²⁾)	30	W	100	100	8	22	28	F30 W 100 (F35 ²⁾)
1300	52"	F30 (F35 ²⁾)	298 (356 ²⁾)	32	Y	100	100	8	22	28	F30 Y 100 (F35 ²⁾)
1400	56"	F30 (F35 ²⁾)	298 (356 ²⁾)	33	Y	120	120	8	22	32	F30 Y 120 (F35 ²⁾)
1600	64"	F40	406	60	W	130	130	8	38	32	F40 W 130

¹⁾ V with one single keyway, W with two single keyways, Y with four single keyways

²⁾ (optional)



Position of single keyways in a closed butterfly valve

Mounting dimensions [mm]

Body configuration - Lug (Code L)

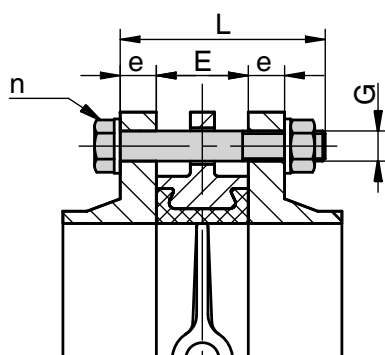
Flanges				PN6, EN1092-1 (Code 1)						PN10, EN1092-1 (Code 2)						PN16, EN1092-1 (Code 3)					
DN	INCH	E	Version	ØTK	n	G	L	L1	e	ØTK	n	G	L	L1	e	ØTK	n	G	L	L1	e
700	28"	165	B	810	48	M24	65	-	24	840	48	M27	70	-	30	840	48	M33	90	-	36
800	32"	190	B	920	48	M27	70	-	24	950	48	M30	80	-	32	950	48	M36	100	-	38
900	36"	203	B	1020	48	M27	70	-	26	1050	56	M30	80	-	34	1050	56	M36	100	-	40
1000	40"	216	B	1120	56	M27	70	-	26	1160	56	M30	80	-	34	1170	56	M39	110	-	42

Flanges				PN25, EN1092-1 (Code 5)						ASME B16.47 A CLASS 150 (Code E)						AWWA C207 CL. D					
DN	INCH	E	Version	ØTK	n	G	L	L1	e	ØTK	n	G	L	L1	e	ØTK	n	G	L	L1	e
700	28"	165	B	875	48	M39	110	-	46	863.3	48	1.25"	115	-	71.9	863.6	48	1.25"	80	-	33.3
750	30"	190	B	n.a.	n.a.	n.a.	n.a.	-	n.a.	914.4	48	1.25"	120	-	75.1	914.4	48	1.25"	80	-	34.9
800	32"	190	B	990	48	M45	120	-	50	977.9	56	1.5"	135	-	81.4	977.9	56	1.5"	90	-	38.1
900	36"	203	B	1090	56	M45	120	-	54	1085.9	64	1.5"	145	-	90.9	1085.9	64	1.5"	95	-	41.3
1000	40"	216	B	1210	56	M52	140	-	58	1200.2	72	1.5"	145	-	90.9	1200.2	72	1.5"	95	-	41.3

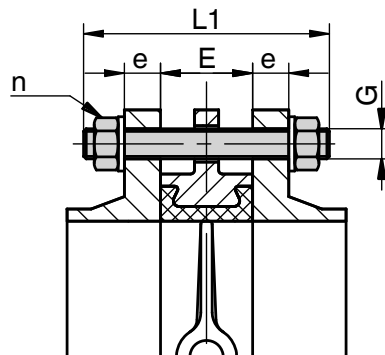
Body configuration - Wafer (Code W)

Flanges				PN6, EN1092-1 (Code 1)						PN10, EN1092-1 (Code 2)						PN16, EN1092-1 (Code 3)					
DN	INCH	E	Version	ØTK	n	G	L	L1	e	ØTK	n	G	L	L1	e	ØTK	n	G	L	L1	e
700	28"	165	A	810	20	M24	260	-	24	840	20	M27	330	-	30	840	20	M33	320	-	36
			B		8	M24	65	-			8	M27	-	-			8	M33	-		
800	32"	190	A	920	20	M27	320	-	24	950	20	M30	350	-	32	950	20	M36	360	-	38
			B		8	M27	-	-			8	M30	-	-			8	M36	-		
900	36"	203	A	1020	20	M27	350	-	26	1050	24	M30	380	-	34	1050	24	M36	380	-	40
			B		8	M27	-	-			8	M30	-	-			8	M36	-		
1000	40"	216	A	1120	24	M27	350	-	26	1160	24	M33	380	-	34	1160	24	M39	380	-	42
			B		4	M27	-	-			8	M33	-	-			8	M39	-		

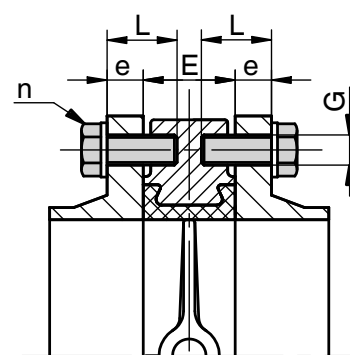
Flanges				PN25, EN1092-1 (Code 5)						ASME B16.47 A CLASS 150 (Code E)						AWWA C207 CL. D					
DN	INCH	E	Version	ØTK	n	G	L	L1	e	ØTK	n	G	L	L1	e	ØTK	n	G	L	L1	e
700	28"	165	A	875	20	M39	320	380	46	863.3	20	1.25"	-	490	71.9	863.6	20	1.25"	290	410	33.3
			B		8	M39	110	-			8	1.25"	115	-			8	1.25"	80	-	
750	30"	190	A	n.a.	n.a.	n.a.	n.a.	n.a.	n.a.	914.4	20	1.25"	-	490	75.1	914.4	24	1.25"	290	410	34.9
			B		8	1.25"	120	-			8	1.25"	80	-							
800	32"	190	A	990	20	M45	360	420	50	977.9	24	1.5"	-	530	81.4	977.9	24	1.5"	330	450	38.1
			B		8	M45	120	-			8	1.5"	135	-			8	1.5"	90	-	
900	36"	203	A	1090	20	M45	-	450	54	1085.9	28	1.5"	-	560	90.9	1086	28	1.5"	340	450	41.3
			B		8	M45	120	-			8	1.5"	145	-			8	1.5"	95	-	
1000	40"	216	A	1210	24	M52	-	480	58	1121	-	-	-	56.1	1200	32	1.5"	360	480	41.3	
			B		8	M52	140	-			8	1.5"	95			-	8	1.5"	95		-



Version A



Version A (alternativ)



Version B

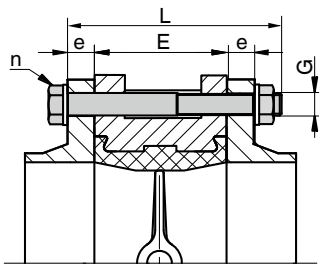
n = number of screws

Mounting dimensions [mm]

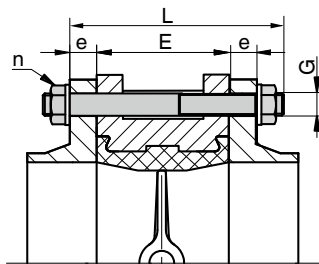
Body configuration U section (Code U)

Flanges			Screw Version	PN6, EN1092-1 (Code 1)					PN10, EN1092-1 (Code 2)					PN16, EN1092-1 (Code 3)							
DN	INCH	E		ØTK	n	G	L	L1	e	ØTK	n	G	L	L1	e	ØTK	n	G	L	L1	e
700	28"	165	A	810	20	M24	260	300	24	840	20	M27	280	330	30	840	20	M33	290	320	36
			B		8	M24	65	8			M27	70	8	M33			90				
800	32"	190	A	920	20	M27	300	320	24	950	20	M30	300	350	32	950	20	M36	320	360	38
			B		8	M27	70	8			M30	80	8	M36			100				
900	36"	203	A	1020	20	M27	320	350	26	1050	24	M30	340	380	34	1050	24	M36	340	380	40
			B		8	M27	70	8			M30	80	8	M36			100				
1000	40"	216	A	1120	24	M27	320	350	26	1160	24	M33	340	380	34	1170	24	M39	360	380	42
			B		8	M27	70	8			M33	80	8	M39			100				
1100	44"	254*	A	n.a.	n.a.	n.a.	n.a.	n.a.	n.a.	1270	28	M33	-	420	38	1270	28	M39	-	450	48
			B		8	M33	90	8			M39	110									
1200	48"	254	A	1340	28	M30	-	450	28	1380	28	M36	-	450	38	1390	28	M45	-	450	48
			B		8	M30	80	8			M36	100	8	M45			120				
1350	54"		A	n.a.	n.a.	n.a.	n.a.	n.a.	n.a.	n.a.	n.a.	n.a.	n.a.	n.a.	n.a.	n.a.	n.a.	n.a.	n.a.	n.a.	n.a.
			B		n.a.	n.a.	n.a.	n.a.			n.a.	n.a.	n.a.	n.a.			n.a.	n.a.	n.a.		
1400	56"	279	A	1560	32	M33	-	450	32	1590	32	M39	-	450	42	1590	32	M45	-	500	52
			B		8	M33	90	8			M39	100	8	M45			120				
1500	60"		A	n.a.	n.a.	n.a.	n.a.	n.a.	n.a.	n.a.	n.a.	n.a.	n.a.	n.a.	n.a.	n.a.	n.a.	n.a.	n.a.	n.a.	n.a.
			B		n.a.	n.a.	n.a.	n.a.			n.a.	n.a.	n.a.	n.a.			n.a.	n.a.	n.a.		
1600	64"	318	A	1760	36	M33	-	500	34	1820	36	M45	-	550	46	1820	36	M52	-	500	58
			B		8	M33	90	8			M45	120	8	M52			120				

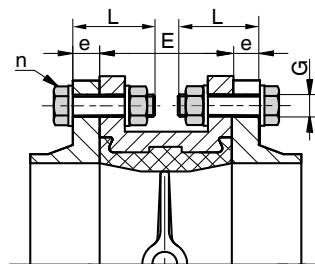
Flanges			Screw Version	PN25, EN1092-1 (Code 5)					CL150 ASME B16.47 A (Code E)					AWWA C207 cl. D (Code W)							
DN	INCH	E		ØTK	n	G	L	L1	e	ØTK	n	G	L	L1	e	ØTK	n	G	L	L1	e
700	28"	165	A	875	20	M39	320	380	46	863.6	20	1.25"	-	490	71.9	863.6	20	1.25"	290	410	33.3
			B		8	M39	110	8			1.25"	115	8	1.25"			80				
800	32"	190	A	990	20	M45	360	420	50	977.9	24	1.5"	-	530	81.4	977.9	24	1.5"	330	450	38.1
			B		8	M45	120	8			1.5"	135	8	1.5"			90				
900	36"	203	A	1090	20	M45	-	450	54	1085.9	28	1.5"	-	560	90.9	1085.9	28	1.5"	340	460	41.3
			B		8	M45	120	8			1.5"	145	8	1.5"			95				
1000	40"	216	A	1210	24	M52	-	480	58	1200.2	32	1.5"	-	580	90.9	1200.2	32	1.5"	360	480	41.3
			B		8	M52	140	8			1.5"	145	8	1.5"			95				
1050	42"		A	n.a.	n.a.	n.a.	n.a.	n.a.	n.a.	1257.3	32	1.5"	-	-	97.3	1257.3	32	1.5"	-	-	44.5
			B		8	1.5"	-	-			8	1.5"	-								
1100	44"	254*	A	1310	28	M52	-	500	65	1314.4	36	1.5"	-	620	102.1	1314.4	36	1.5"	-	510	44.5
			B		8	M52	140	8			1.5"	155	8	1.5"			100				
1200	48"	254	A	1420	28	M52	-	550	70	1422.4	40	1.5"	-	650	108.4	1422.4	40	1.5"	-	530	47.6
			B		8	M52	150	8			1.5"	160	8	1.5"			100				
1300	52"	276	A	n.a.	n.a.	n.a.	n.a.	n.a.	n.a.	1536.7	40	1.75"	-	720	116.3	1536.7	40	1.75"	-	590	50.8
			B		8	1.75"	175	8			1.75"	115									
1350	54"		A	n.a.	n.a.	n.a.	n.a.	n.a.	n.a.	1593.9	40	1.75"	-	-	121.1	1593.9	40	1.75"	-	-	54
			B		8	1.75"	-	-			8	1.75"	-								
1400	56"	279	A	n.a.	n.a.	n.a.	n.a.	n.a.	n.a.	n.a.	40	1.75"	-	735	124.3	n.a.	n.a.	n.a.	n.a.	n.a.	n.a.
			B		8	1.75"	185	8			1.75"	-									
1500	60"		A	n.a.	n.a.	n.a.	n.a.	n.a.	n.a.	1759	40	1.75"	-	-	134.2	1759.0	40	1.75"	-	-	57.2
			B		8	1.75"	-	-			8	1.75"	-								



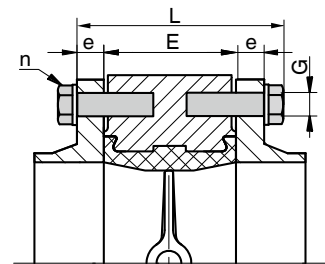
Version A



Version A (alternativ)



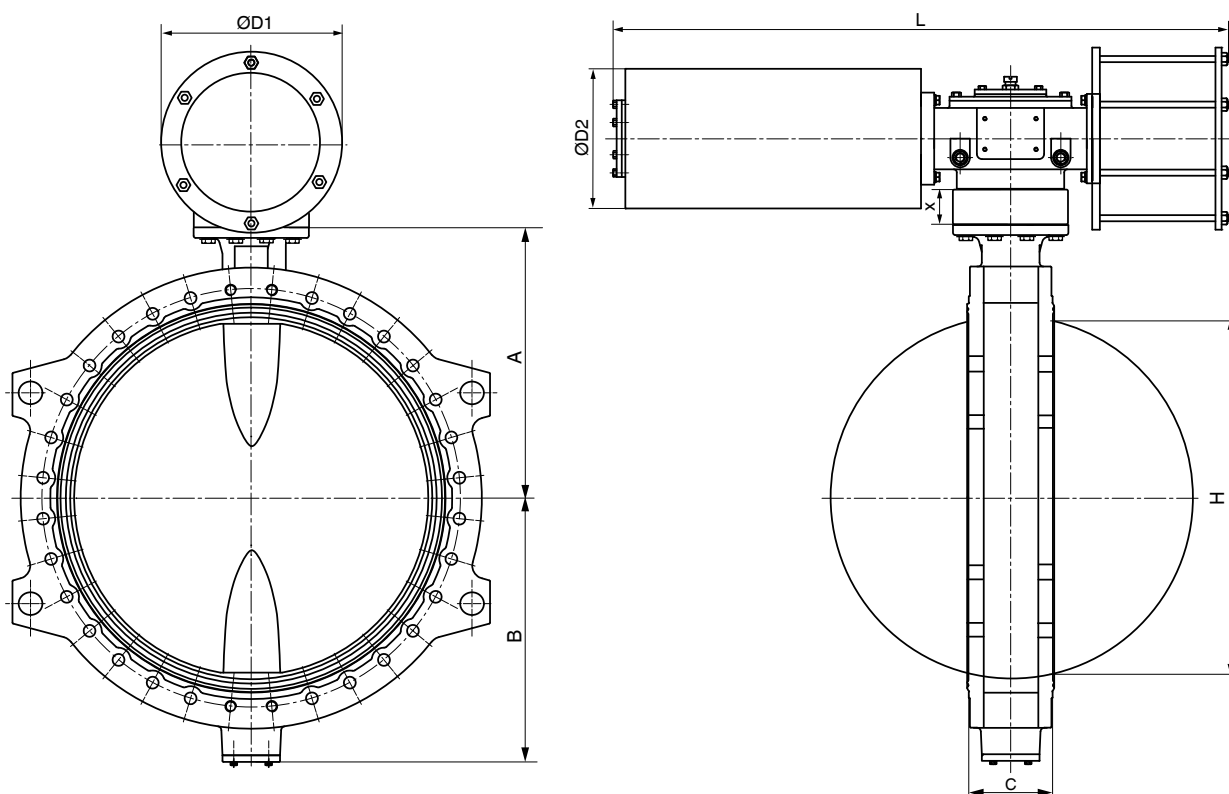
Version A (alternativ)



Version B

n = number of screws

Order data - GEMÜ C481
Butterfly valve with single acting pneumatic actuator [mm]

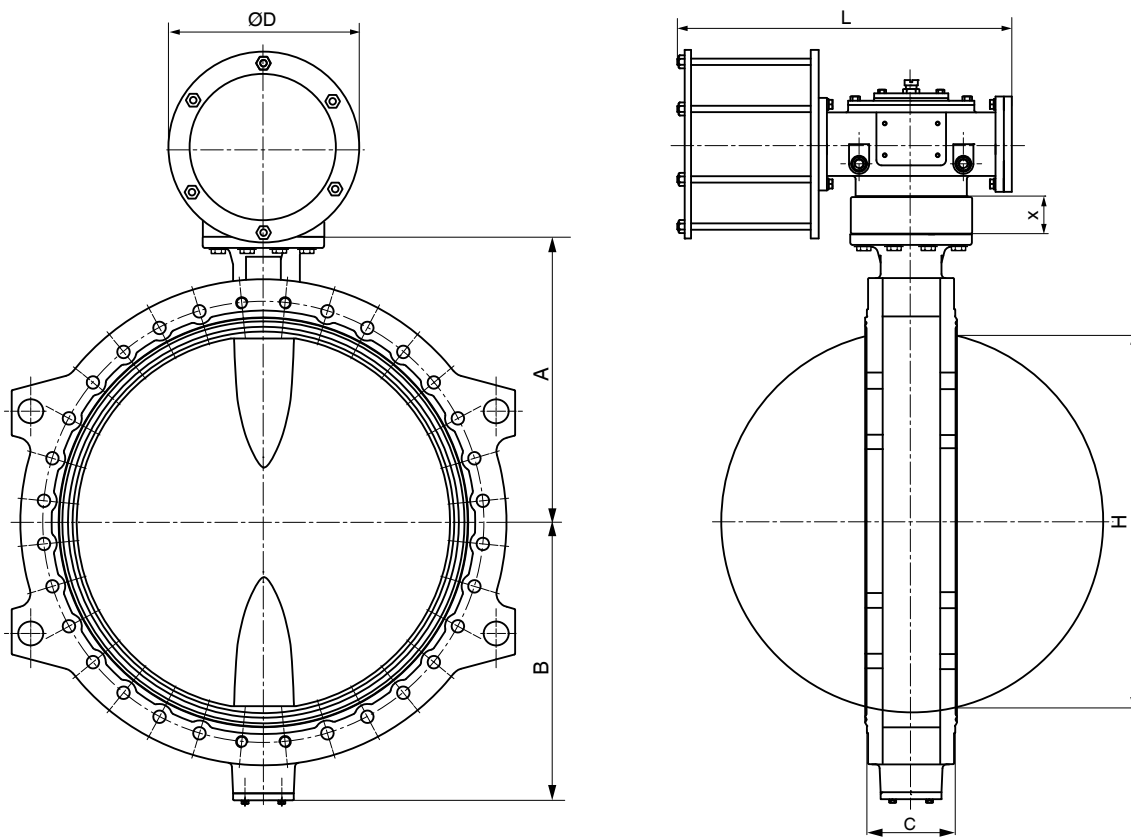


Spring Return (SR) version

DN	Designation	A	B	C	H	L	ØD1	ØD2
700	SY01F25-400 SR6	570	510	165	676	1517	465	377
750	SY01F25-400 SR6	610	540	165	710	1517	516	377
800	SY01F25-450 SR6	640	560	190	750	1517	516	426
900	SY01F30-550 SR6	700	665	203	855	1915	620	508
1000	SY01F35-700 SR6	750	715	216	950	2402	772	630
1100	SY01F35-700 SR6	820	805	254	1045	2402	772	630
1200	SY01F35-700 SR6	870	855	254	1145	2402	772	630
1300	SY01F35-700 SR6	960	935	254	1246	2402	772	630
1400	SY01F40-800 SR6	1015	1000	254	1355	2780	878	530
1600	SY01F48-900 SR6	1170	1135	254	1535	3485	980	730

Technical data for liquids +20 °C and control pressure 6 bar

Order data - GEMÜ C481
Butterfly valve with double acting pneumatic actuator [mm]



Double Acting (DA) version

DN	Designation	A	B	C	H	L	ØD
700	SY01F16-250 DA	570	510	165	676	689	310
750	SY01F25-350 DA	610	540	165	710	804	415
800	SY01F25-350 DA	640	560	190	750	804	415
900	SY01F25-350 DA	700	665	203	855	804	415
1000	SY01F30-450 DA	750	715	216	950	992	516
1100	SY01F30-450 DA	820	805	254	1045	992	516
1200	SY01F30-450 DA	870	855	254	1145	992	516
1300	SY01F35-550 DA	960	935	254	1246	1158	620
1400	SY01F35-550 DA	1015	1000	254	1355	1158	620
1600	SY01F40-600 DA	1170	1135	254	1535	1358	670

Technical data for liquids +20 °C and control pressure 6 bar

**12 Order data / Operator dimensions - GEMÜ C481
Butterfly valve with pneumatic actuator [mm]**

Technical data for liquids +20 °C and control pressure 4.5 bar

Operating pressure 3 bar (see order data - operating pressure code 0)

DN	Pneumatic double acting	Code	Pneumatic single acting	Code
700	SY01F16-250 DA	YD25AL0	SY01F25-400 SR4	YS40EJ0
750	SY01F16-250 DA	YD25AL0	SY01F25-400 SR4	YS40EJ0
800	SY01F16-300 DA	YD30AL0	SY01F25-400 SR4	YS40EJ0
900	SY01F16-300 DA	YD30AL0	SY01F30-450 SR4	YS45EM0
1000	SY01F25-350 DA	YD35AJ0	SY01F30-500 SR4	YS50EM0
1100	SY01F25-400 DA	YD40AJ0	SY01F35-550 SR4	YS55EH0
1200	SY01F30-450 DA	YD45AM0	SY01F35-700 SR4	YS70EH0
1300	SY01F30-450 DA	YD45AM0	SY01F35-700 SR4	YS70EH0
1400	SY01F35-550 DA	YD55AH0	SY01F40-800 SR4	YS80ED0
1600	SY01F35-600 DA	YD60AH0	SY01F48-900 SR4	YS90EE0

Operating pressure 6 bar (see order data - operating pressure code 1)

700	SY01F16-300 DA	YD30AL0	SY01F25-450 SR4	YS45EJ0
750	SY01F25-350 DA	YD35AJ0	SY01F25-450 SR4	YS45EJ0
800	SY01F16-300 DA	YD30AL0	SY01F30-450 SR4	YS45EM0
900	SY01F25-350 DA	YD35AJ0	-	-
1000	SY01F25-350 DA	YD35AJ0	SY01F30-550 SR4	YS55EM0
1100	SY01F30-450 DA	YD45AM0	SY01F35-600 SR4	YS60EH0
1200	SY01F30-500 DA	YD50AM0	SY01F40-700 SR4	YS70ED0
1300	SY01F30-500 DA	YD50AM0	SY01F40-700 SR4	YS70ED0
1400	SY01F35-550 DA	YD55AH0	SY01F40-800 SR4	YS80ED0
1600	SY01F40-700 DA	YD70AD0	SY01F48-1000 SR4	YS1T0EE0

Operating pressure 10 bar (see order data - operating pressure code 2)

700	SY01F16-300 DA	YD30AL0	SY01F30-450 SR4	YS45EM0
750	SY01F25-350 DA	YD35AJ0	SY01F25-450 SR4	YS45EJ0
800	SY01F25-350 DA	YD35AJ0	SY01F30-500 SR4	YS50EM0
900	SY01F25-350 DA	YD35AJ0	-	-
1000	SY01F25-400 DA	YD40AJ0	SY01F35-550 SR4	YS55EH0
1100	SY01F30-450 DA	YD45AM0	SY01F35-700 SR4	YS70EH0
1200	SY01F35-550 DA	YD55AH0	-	-
1300	SY01F35-550 DA	YD55AH0	-	-
1400	SY01F35-550 DA	YD55AH0	-	-
1600	SY01F40-700 DA	YD70AD0	-	-

Operating pressure 16 bar (see order data - operating pressure code 3)

700	SY01F25-350 DA	YD35AJ0	SY01F30-500 SR4	YS50EM0
750	SY01F25-350 DA	YD35AJ0	-	-
800	SY01F25-350 DA	YD35AJ0	-	-
900	-	-	-	-
1000	SY01F30-450 DA	YD45AM0	-	-
1100	-	-	-	-
1200	SY01F35-550 DA	YD55AH0	-	-
1300	SY01F35-600 DA	YD60AH0	-	-
1400	-	-	-	-
1600	SY01F40-800 DA	YD80AD0	-	-

Order example	1	2	3	4	5	6	7	8	9	10	11	12
Code	C481	Order data butterfly valve (page 3)									F	YD45AM0

12 Order data / Operator dimensions - GEMÜ C481
Butterfly valve with pneumatic actuator [mm]

Technical data for liquids +20 °C and control pressure 6 bar

Operating pressure 3 bar (see order data - operating pressure code 0)

DN	Pneumatic double acting	Code	Pneumatic single acting	Code
700	SY01F16-250 DA	YD25AL0	SY01F16-350 SR6	YS35KL0
750	SY01F16-250 DA	YD25AL0	SY01F16-350 SR6	YS35KL0
800	SY01F16-250 DA	YD25AL0	SY01F25-350 SR6	YS35KJ0
900	SY01F25-350 DA	YD35AJ0	SY01F25-400 SR6	YS40KJ0
1000	SY01F25-350 DA	YD35AJ0	SY01F25-450 SR6	YS45KJ0
1100	SY01F25-350 DA	YD35AJ0	SY01F30-500 SR6	YS50KM0
1200	SY01F30-450 DA	YD45AM0	SY01F35-550 SR6	YS55KH0
1300	SY01F30-450 DA	YD45AM0	SY01F35-550 SR6	YS55KH0
1400	SY01F30-450 DA	YD45AM0	SY01F35-700 SR6	YS70KH0
1600	SY01F35-550 DA	YD55AH0	SY01F40-800 SR6	YS80KD0

Operating pressure 6 bar (see order data - operating pressure code 1)

700	SY01F16-250 DA	YD25AL0	SY01F25-350 SR6	YS35KJ0
750	SY01F16-250 DA	YD25AL0	SY01F25-400 SR6	YS40KJ0
800	SY01F25-350 DA	YD35AJ0	SY01F25-400 SR6	YS40KJ0
900	SY01F25-350 DA	YD35AJ0	-	-
1000	SY01F25-350 DA	YD35AJ0	SY01F30-500 SR6	YS50KM0
1100	SY01F30-450 DA	YD45AM0	SY01F35-550 SR6	YS55KH0
1200	SY01F30-450 DA	YD45AM0	SY01F35-600 SR6	YS60KH0
1300	SY01F30-500 DA	YS50EM0	-	-
1400	SY01F30-450 DA	YD45AM0	SY01F35-700 SR6	YS70KH0
1600	SY01F35-600 DA	YD60AH0	SY01F48-800 SR6	YS80KE0

Operating pressure 10 bar (see order data - operating pressure code 2)

700	SY01F16-250 DA	YD25AL0	SY01F25-400 SR6	YS40KJ0
750	SY01F25-350 DA	YD35AJ0	SY01F25-400 SR6	YS40KJ0
800	SY01F25-350 DA	YD35AJ0	SY01F25-450 SR6	YS45KJ0
900	SY01F25-350 DA	YD35AJ0	-	-
1000	SY01F25-350 DA	YD35AJ0	SY01F30-550 SR6	YS55KM0
1100	SY01F30-450 DA	YD45AM0	SY01F35-600 SR6	YS60KH0
1200	SY01F30-450 DA	YD45AM0	-	-
1300	SY01F35-550 DA	YD55AH0	SY01F35-700 SR6	YS70KH0
1400	SY01F35-550 DA	YD55AH0	-	-
1600	SY01F40-600 DA	YD60AD0	SY01F48-900 SR6	YS90KE0

Operating pressure 16 bar (see order data - operating pressure code 3)

700	SY01F25-350 DA	YD35AJ0	SY01F25-450 SR6	YS45KJ0
750	SY01F25-350 DA	YD35AJ0	SY01F25-450 SR6	YS45KJ0
800	SY01F25-350 DA	YD35AJ0	-	-
900	-	-	-	-
1000	SY01F30-450 DA	YD45AM0	SY01F35-550 SR6	YS55KH0
1100	-	-	-	-
1200	SY01F35-550 DA	YD55AH0	-	-
1300	SY01F35-550 DA	YD55AH0	-	-
1400	-	-	-	-
1600	SY01F40-700 DA	YD70AD0	-	-

Order example	1	2	3	4	5	6	7	8	9	10	11	12
Code	C481	Order data butterfly valve (page 3)									F	YD35AJ0

**12 Order data / Operator dimensions - GEMÜ C481
Butterfly valve with pneumatic actuator [mm]**

Technical data difficult conditions and control pressure 4.5 bar

Operating pressure 3 bar (see order data - operating pressure code 0)

DN	Pneumatic double acting	Code	Pneumatic single acting	Code
700	SY01F16-300 DA	YD30AL0	SY01F25-450 SR4	YS45EJ0
750	SY01F16-300 DA	YD30AL0	SY01F30-450 SR4	YS45EM0
800	SY01F16-300 DA	YD30AL0	SY01F30-450 SR4	YS45EM0
900	SY01F25-350 DA	YD35AJ0	SY01F30-500 SR4	YS50EM0
1000	SY01F25-350 DA	YD35AJ0	SY01F30-550 SR4	YS55EM0
1100	SY01F30-450 DA	YD45AM0	SY01F35-600 SR4	YS60EH0
1200	SY01F30-450 DA	YD45AM0	SY01F35-700 SR4	YS70EH0
1300	SY01F30-500 DA	YD50AM0	SY01F40-700 SR4	YS70ED0
1400	SY01F35-550 DA	YD55AH0	-	-
1600	SY01F40-600 DA	YD60AD0	SY01F48-1000 SR4	YS1T0EE0

Operating pressure 6 bar (see order data - operating pressure code 1)

700	SY01F25-350 DA	YD35AJ0	SY01F30-450 SR4	YS45EM0
750	SY01F25-350 DA	YD35AJ0	SY01F30-500 SR4	YS50EM0
800	SY01F25-350 DA	YD35AJ0	SY01F30-500 SR4	YS50EM0
900	SY01F25-350 DA	YD35AJ0	-	-
1000	SY01F25-400 DA	YD40AJ0	SY01F35-550 SR4	YS55EH0
1100	SY01F30-450 DA	YD45AM0	SY01F35-700 SR4	YS70EH0
1200	SY01F35-550 DA	YD55AH0	-	-
1300	SY01F35-550 DA	YD55AH0	-	-
1400	SY01F35-550 DA	YD55AH0	-	-
1600	SY01F40-700 DA	YD70AD0	-	-

Operating pressure 10 bar (see order data - operating pressure code 2)

700	SY01F25-350 DA	YD35AJ0	SY01F30-500 SR4	YS50EM0
750	SY01F25-350 DA	YD35AJ0	SY01F30-500 SR4	YS50EM0
800	SY01F25-350 DA	YD35AJ0	-	-
900	SY01F25-400 DA	YD40AJ0	-	-
1000	SY01F30-450 DA	YD45AM0	SY01F35-600 SR4	YS60EH0
1100	SY01F30-500 DA	YD50AM0	SY01F40-700 SR4	YS70ED0
1200	SY01F35-550 DA	YD55AH0	-	-
1300	SY01F35-550 DA	YD55AH0	-	-
1400	SY01F40-600 DA	YD60AD0	-	-
1600	SY01F40-800 DA	YD80AD0	-	-

Operating pressure 16 bar (see order data - operating pressure code 3)

700	SY01F25-350 DA	YD35AJ0	-	-
750	SY01F25-400 DA	YD40AJ0	-	-
800	SY01F25-400 DA	YD40AJ0	-	-
900	-	-	-	-
1000	-	-	-	-
1100	-	-	-	-
1200	-	-	-	-
1300	-	-	-	-
1400	-	-	-	-
1600	-	-	-	-

Order example	1	2	3	4	5	6	7	8	9	10	11	12
Code	C481	Order data butterfly valve (page 3)									F	YD35AJ0

**12 Order data / Operator dimensions - GEMÜ C481
Butterfly valve with pneumatic actuator [mm]**

Technical data difficult conditions and control pressure 6 bar

Operating pressure 3 bar (see order data - operating pressure code 0)

DN	Pneumatic double acting	Code	Pneumatic single acting	Code
700	SY01F16-250 DA	YD25AL0	SY01F25-350 SR6	YS35KJ0
750	SY01F16-250 DA	YD25AL0	SY01F25-350 SR6	YS35KJ0
800	SY01F16-250 DA	YD25AL0	SY01F25-400 SR6	YS40KJ0
900	SY01F25-350 DA	YD35AJ0	SY01F25-450 SR6	YS45KJ0
1000	SY01F25-350 DA	YD35AJ0	SY01F30-450 SR6	YS45KM0
1100	SY01F30-450 DA	YD45AM0	SY01F30-550 SR6	YS55KM0
1200	SY01F30-450 DA	YD45AM0	SY01F35-600 SR6	YS60KH0
1300	SY01F30-450 DA	YD45AM0	SY01F35-700 SR6	YS70KH0
1400	SY01F35-550 DA	YD55AH0	-	-
1600	SY01F35-600 DA	YD60AH0	SY01F48-800 SR6	YS80KE0

Operating pressure 6 bar (see order data - operating pressure code 1)

700	SY01F25-350 DA	YD35AJ0	SY01F25-400 SR6	YS40KJ0
750	SY01F25-350 DA	YD35AJ0	SY01F25-450 SR6	YS45KJ0
800	SY01F25-350 DA	YD35AJ0	SY01F25-450 SR6	YS45KJ0
900	SY01F25-350 DA	YD35AJ0	-	-
1000	SY01F25-350 DA	YD35AJ0	SY01F30-500 SR6	YS50KM0
1100	SY01F30-450 DA	YD45AM0	SY01F35-600 SR6	YS60KH0
1200	SY01F30-450 DA	YD45AM0	-	-
1300	SY01F35-550 DA	YD55AH0	-	-
1400	SY01F35-550 DA	YD55AH0	-	-
1600	SY01F40-600 DA	YD60AD0	SY01F48-900 SR6	YS90KE0

Operating pressure 10 bar (see order data - operating pressure code 2)

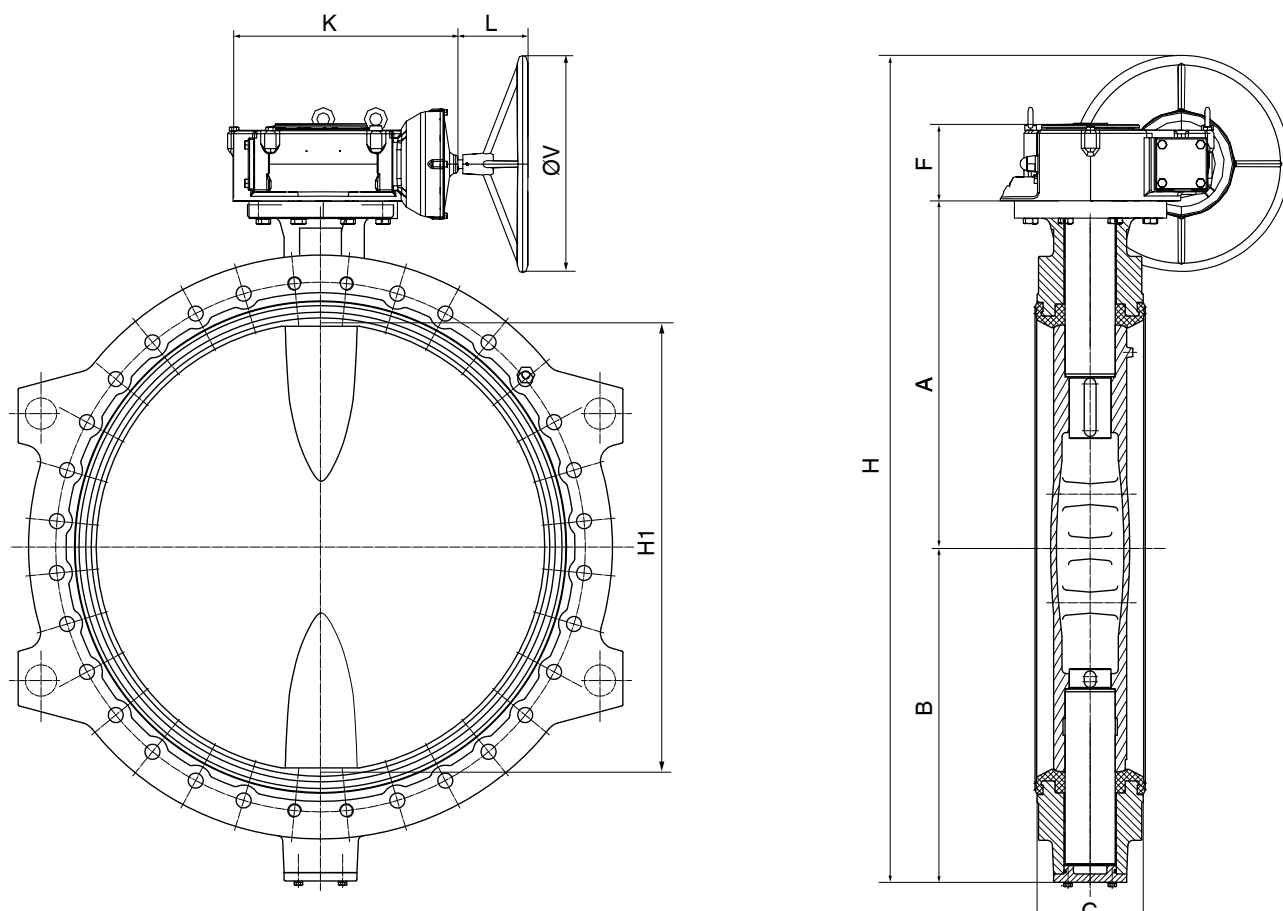
700	SY01F25-350 DA	YD35AJ0	SY01F25-450 SR6	YS45KJ0
750	SY01F25-350 DA	YD35AJ0	SY01F25-450 SR6	YS45KJ0
800	SY01F25-350 DA	YD35AJ0	-	-
900	SY01F25-350 DA	YD35AJ0	-	-
1000	SY01F30-450 DA	YD45AM0	SY01F30-550 SR6	YS55KM0
1100	SY01F30-450 DA	YD45AM0	SY01F35-700 SR6	YS70KH0
1200	SY01F35-550 DA	YD55AH0	-	-
1300	SY01F35-550 DA	YD55AH0	-	-
1400	SY01F35-550 DA	YD55AH0	-	-
1600	SY01F40-700 DA	YD70AD0	-	-

Operating pressure 16 bar (see order data - operating pressure code 3)

700	SY01F25-350 DA	YD35AJ0	-	-
750	SY01F25-350 DA	YD35AJ0	-	-
800	SY01F25-350 DA	YD35AJ0	-	-
900	-	-	-	-
1000	SY01F30-450 DA	YD45AM0	-	-
1100	-	-	-	-
1200	SY01F35-550 DA	YD55AH0	-	-
1300	SY01F35-600 DA	YD60AH0	-	-
1400	SY01F40-600 DA	YD60AD0	-	-
1600	-	-	-	-

Order example	1	2	3	4	5	6	7	8	9	10	11	12
Code	C481	Order data butterfly valve (page 3)									F	YD35AJ0

Order data / Operator dimensions - GEMÜ C487
Butterfly valve with single acting pneumatic actuator [mm]



DN	Designation	Code	A	B	C	F	H	H1	K	L	ØV
700	GB2000N LB	GB2000N	570	518	165	121	1227	659	195,0	150	500
800	GB2000N LB	GB2000N	749	567	190	121	1727	749	195,0	150	600
900	GB1950N PR4	GB1950N	700	650	203	126	1711	852	272,5	150	500
1000	GB3000N LB PR4	GB3000N	750	716	216	155	1837	952	315,0	150	500
1100	GB6800N LB PR6	GB6800N	820	780	254	193	1971	1049	389,5	150	500
1200	GB6800N LB PR6	GB6800N	870	830	254	193	2062	1147	389,5	150	500
1300	GB6800N LB PR6	GB6800N	960	935	276	193	2316	1232	389,5	150	600
1400	A200N PR 10	GB200N	1015	975	279	215	2455	1358	416,5	150	600
1600	IW82	GBIW82	1170	1148	318	193	2714		625,0	150	600

Order example	1	2	3	4	5	6	7	8	9	10	11	12
Code	C487		Order data butterfly valve (page 3)								F	GB1950N

For further butterfly valves, accessories and other products, please see our Product Range catalogue and Price List.
 Contact GEMÜ.

GEMÜ® VALVES, MEASUREMENT
 AND CONTROL SYSTEMS

