

## GE-NG590-IR

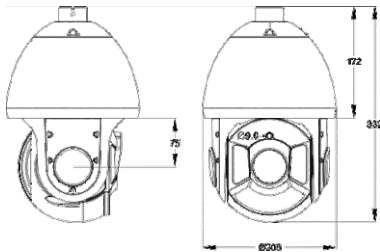
## 2MP Starlight IR High Speed Dome



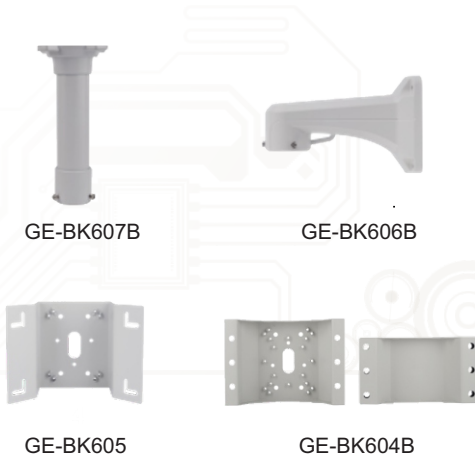
### Key features

- 1/1.9" Progressive Scan CMOS
- 30X Optical Zoom, 16X Digital Zoom
- Full HD 1080P Starlight 0.0001Lux
- Smart IR Range 150m
- 3D DNR, dWDR, ICR
- Anti-reflection optical glass to increase infrared transmittance

### Dimension



### Accessories



CAMERA	
Image Sensor	1/1.9" Progressive Scan CMOS
Min. illumination	Color 0.001Lux; B&W 0.0001Lux; IR ON 0 Lux
Day & Night	ICR
Shutter Speed	1/1-1/30000s
Auto Iris	Auto/Manual
Wide Dynamic Range	dWDR
Digital Noise Reduction	3D
Lens	30X Module , 6~180mm
Digital Zoom	16x
FOV	59.8°~2.3°
IR LED	8 pcs
IR Range	150m
Pan/Tilt	Pan 0-360° ,Tilt -10-90°
Pan/Tilt Speed	Pan 0.01-180°/s ,Tilt 0.01-90°/s , Preset Speed Pan:180°/s ,Tilt:90°/s
3D Position	YES
Coordinate Display	YES
Preset/Tour/Scan/Track	400/12/12/6
IMAGE	
Video Compression	H.265,H.264 High/Main/Baseline Profile, MJPEG
Bit Rate (CBR/VBR)	Main stream:500kb-12000kb ; Sub stream 100kb-6000kb
Audio Compression	G.711 ,RAW_PCM
Max.Resolution	1920x1080/30fps
Stream	Stream1 1920x1080,1280x720 Stream 2 D1/CIF/QCIF/VGA/QVGA/640x360
Image Setting	Rotate Mode, Saturation, Brightness, Contrast, Sharpness
HLC	yes
ROI	Yes
Defog	Yes
NETWORK	
Network Protocols	IPv4/IPv6,RTSP/RTP/RTCP,TCP/UDP, HTTPS, DHCP, DNS ,DDNS, PPPoE, SMTP
Alarm Trigger	Network disconnect, Disk alarm ,I/O alarm
RTSP Video	Standard RFC2326, Support QuickTime / VLC Player.
Security	User security authentication, Reset, Hardware Watch Dog
System Compatibility	Onvif, GB/T28181
INTERFACE	
Ethernet	1 Ethernet (10/100 Base-T) RJ-45 Connector
Audio I/O	1ch Audio In,1ch Audio Out
Alarm I/O	7ch Alarm In,2ch Alarm Out
Rs485	yes
BNC Output	Yes
Reset Button	Yes(Built-In)
Edge Storage	Micro SD/SDHC/SDXC slot(Built-in), Max 128GB
GENERAL	
Power Supply	AC24V/2.5A
Power Consumption	MAX 40W
OperatingTemperature	Starting Temperature: -30 °C~ 60 °C (-22 °F ~ 140 °F) Working Temperature: -40 °C ~ 60 °C (-40 °F ~ 140 °F)
Operating Humidity	0% - 90% RH
Ingress Protection	IP66,TVS6000V
Approvals	CE/FCC
Product Dimensions	Φ205x332mm
Product Weight	4300g