

## GE-NG580

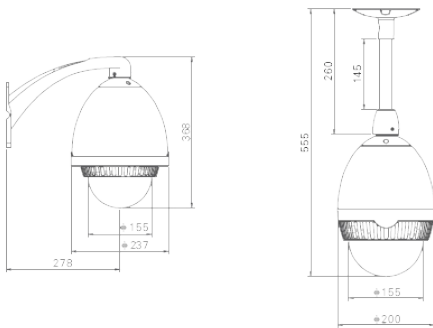
## 1080P Network IR High Speed Dome



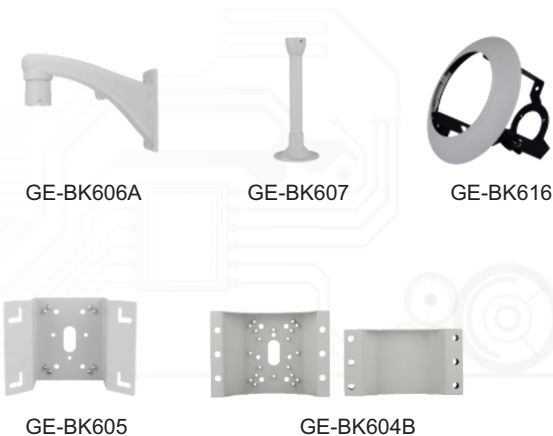
### Key features

- 1/2.8" Progressive Scan CMOS
- 22X Optical Zoom, 16X Digital Zoom
- Full HD 1080P
- Multiple Streams
- Low bitrate ,Good low light performance
- 3D DNR,dWDR,ICR

### Dimension



### Accessories



CAMERA	
Image Sensor	1/2.8" Progressive Scan CMOS
Min. illumination	Color 0.01Lux; B&W 0.001Lux; IR ON 0 Lux
Day & Night	ICR
Shutter Speed	1/8000-1/6s
Auto Iris	Auto/Manual
Wide Dynamic Range	yes
Digital Noise Reduction	2D/3D
Lens	22X Module , 4.7-103mm
Digital Zoom	16x
FOV	58.7°~3.2°
IR LED	8 pcs
IR Range	100m
Pan/Tilt	Pan 0-360° ,Tilt -10-90°
Pan/Tilt Speed	Pan 0.01-180°/s , Tilt 0.01-90°/s , Preset Speed Pan:180°/s , Tilt:90°/s
3D Position	YES
Coordinate Display	YES
Preset/Tour/Scan/Track	400/12/12/6
IMAGE	
Video Compression	H.265,H.264 High/Main/Baseline Profile, MJPEG
Bit Rate (CBR/VBR)	Primary stream:500kbps-12Mbps; Secondary stream:100kbps-6Mbps
Audio Compression	G.711 ,RAW_PCM
Max.Resolution	1920x1080/30fps
Stream	Stream1 1920x1080 ; Stream 2 D1 to QVGA
Image Setting	Rotate Mode, Saturation, Brightness, Contrast, Sharpness
HLC	yes
ROI	Yes
Defog	Yes
NETWORK	
Network Protocols	IPv4/IPv6,RTSP/RTP/RTCP,TCP/UDP, HTTPS, DHCP, DNS ,DDNS, PPPoE, SMTP
Alarm Trigger	Motion, Intrusion, LineCrossing, Tamper, Networkdisconnect, Diskalarm, I/O alarm
RTSP Video	Standard RFC2326, Support QuickTime / VLC Player.
Security	User security authentication, Reset, Hardware Watch Dog
System Compatibility	Onvif, CGI
INTERFACE	
Ethernet	1 Ethernet (10/100 Base-T) RJ-45 Connector
Audio I/O	1ch Audio In,1ch Audio Out
Alarm I/O	7ch Alarm In,2ch Alarm Out
Rs485	yes
BNC Output	Yes
Reset Button	Yes(Built-In)
Edge Storage	Micro SD/SDHC/SDXC slot(Built-in), Max 64GB
GENERAL	
Power Supply	AC24V/2.5A
Power Consumption	MAX 40W
OperatingTemperature	Starting Temperature: -30 °C ~ 60 °C (-22 °F ~ 140 °F) Working Temperature: -40 °C ~ 60 °C (-40 °F ~ 140 °F)
Operating Humidity	0% - 90% RH
Ingress Protection	IP66,TVS6000V
Approvals	CE/FCC
Product Dimensions	Φ205x332mm
Product Weight	4300g