

Signal and Alarm: Traffic Light, ETF Series



Flameproof Zone 1 & 2 - 21 & 22

Application

The ETF is used for automatic light or traffic signal in hazardous areas (zone 1, 2 and zone 21, 22) due to the presence of flammable gases or vapors, dusts and flying fibers such as oil refineries or petrochemical plant.

Specification

- Housing material : Marine grade copper-free aluminium alloy with polyester powder coated, RAL 9017 (black)
- Glass : Heat and impact resistant
- Filter : Polycarbonate
- Bolt : Stainless steel
- Pole stand (Option) : Steel pipe with polyester powder coated, RAL 9017 (black)
- Seal gasket : Silicone -40 °C to +175 °C

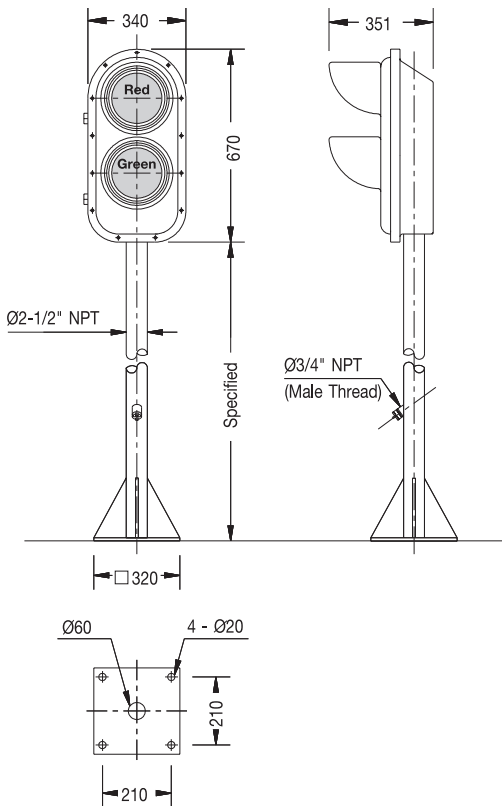
Technical Data

Hazardous Area	Gas	Dust
Zones	1 & 2	21 & 22
Conforming to ATEX	II 2G	II 2D
Symbol of Protection ATEX	Ex db IIB Gb	Ex tb IIIC Db
Symbol of Protection IEC		
T Rating	T6 (Ta 40 °C) T5 (Ta 55 °C)	NA
Surface Temp.	NA	T80°C (Ta 40 °C) T100°C (Ta 55 °C)
Standard	ATEX Directive 2014/34/EU, std. EN 60079-0:2012, EN 60079-1:2014, EN 60079-31:2014 IECEx Scheme, std. IEC 60079-0:2011, IEC 60079-1:2014, IEC 60079-31:2013	
Ambient Temperature	-20 °C to +55 °C	
Index of Protection	IP66	

Electrical Rating

Voltage : 220V.AC. 50Hz.

Dimension



Catalogue Number

ETF - 2 100 □□

Series Number of Lamp Lamp watt: 100 = 100W. Len colour:
R = Red
G = Green
Y = Yellow
B = Blue
C = Clear

Cat. No.	Wattage	Voltage	Volume (dm ³)	Approx. Weight (kgs.)
Incandescent				
ETF-2100 □□	2x 100W.	220V.AC. 50Hz.	19.3	30.05