

Enclosure: Terminal Box, TBE1 Series



Increased Safety
Zone 1 & 2 – 21 & 22

Application

The TBE1 terminal boxes are designed for taps, splices or connecting of conductors for control and instrument. These boxes are suitable for explosive atmospheres zone 1, 2 and zone 21, 22.

Specification

Housing material : Marine grade copper-free aluminium alloy with polyester powder coated, RAL 7032 (Grey)
Sealing (O-ring) : Silicone -40 °C to +175 °C
Lid screws : Stainless steel

Electrical Rating

Rated voltage : up to 630V.
Rated current : up to 41A.
(depending on type of terminal used)

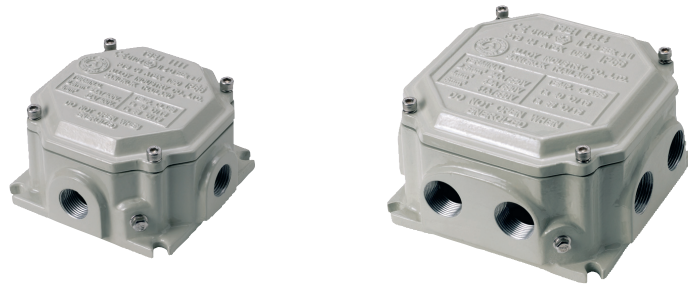
Technical Data

Hazardous Area	Gas	Dust
Zones	1 & 2	21 & 22
Conforming to ATEX	II 2G	II 2D
Symbol of Protection ATEX	Ex e II	Ex tD A21
Symbol of Protection IEC		
ATEX Certificate	PTB 04 ATEX 1090	
T Rating	T6 (Ta 40 °C) T5 (Ta 55 °C)	NA
Surface Temp.	NA	T85°C (Ta 40 °C) T100°C (Ta 55 °C)
Standard	ATEX Directive 2014/34/EU, std. EN 60079-0:2006, EN 60079-7:2007, EN 61241-0:2006, , EN 61241-1:2004	
Ambient Temperature	-20 °C to +55 °C	
Index of Protection	IP66	
Entries	NPT or Metric threads	
Mounting	Wall type	

Option

please specify

- Terminal sizes and number of poles.



TBE1 1111

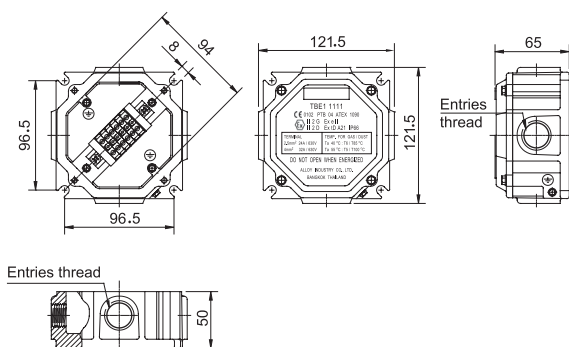
TBE1 1414

Terminal Selection Chart

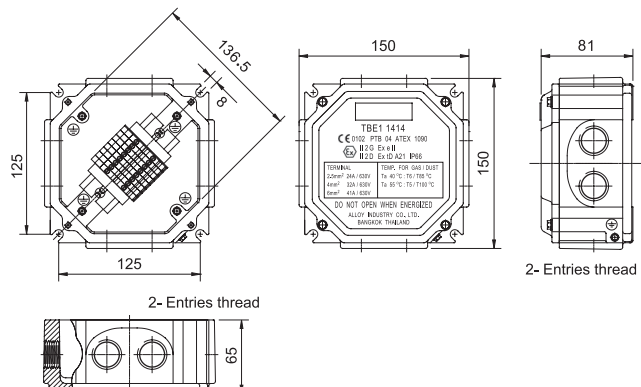
Cat. No.	Terminal Block, Ex e (Pin type)					Maximum Terminal Block (Poles)	Maximum entries thread size NPT (Metric)			Empty Weight (kgs.)
	Brand	Model	Wire Size	Current	Voltage		Ø1/2" (M20x1.5)	Ø3/4" (M25x1.5)	Ø1" (M32x1.5)	
TBE1 1111	Entelec	DR4/6.Ex	0.5-4mm. ²	30A.	275V.	6	1	1	-	0.87
	Elmex	MBT 4								
TBE1 1414	Entelec	ZS4	0.5-4mm. ²	32A.	630V.	8	2	2	1	1.65
		ZS6	0.5-6mm. ²	41A.						
	Elmex	KUT 2.5	0.5-2.5mm. ²	24A.	750V.	9	8	8	8	
		KUT 4	0.5-4mm. ²	32A.	750/550V.					
		KUT 6	1.5-6mm. ²	41A.	750/550V.	8				

Dimension

TBE1 1111



TBE1 1414



Enclosure: Terminal Box, TBE1 1111 Series



Increased Safety
Zone 1 & 2 – 21 & 22

ORDERING INFORMATION



Project: _____

Customer: _____

Owner: _____

Contact Name: _____

Tel: _____ Date: _____

Q ,ty _____ Sets

Terminal Block, Ex e (Pin type), 6-Poles maximum

Brand: **Entrelec** Model: **DR4/6.Ex** [0.5-4 mm.² wire max., 30A. 275V.] Q 'ty _____ Poles

Marker No. _____

Jumper Bar _____ Poles _____ Set _____ Poles _____ Set

Brand: **Elmex** Model: **MBT 4** [0.5-4 mm.² wire max., 30A. 275V.] Q 'y _____ Poles

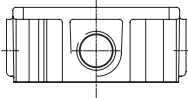
Marker No. _____

Jumper Bar _____ Poles _____ Set _____ Poles _____ Set

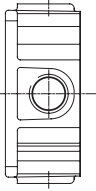
Ground Point (M4 Screw) 2-Internal Ground 4-Internal Ground 1-External Ground (standard)

Entries Thread ; Metric (M25 x 1.5 maximum), NPT (3/4" maximum)

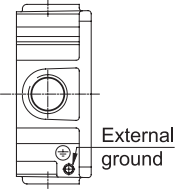
Top View



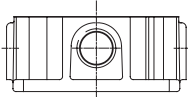
Left View



Right View



Bottom View

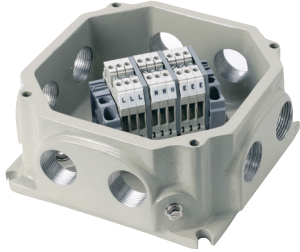


Enclosure: Terminal Box, TBE1 1414 Series



Increased Safety
Zone 1 & 2 – 21 & 22

ORDERING INFORMATION



Project: _____

Customer: _____

Owner: _____

Contact Name: _____

Q ,ty _____ Sets Tel: _____ Date: _____

Terminal Block, Ex e (Pin type), **Brand: Entelec**

Model: **ZS4** [0.5-4 mm.² wire max., 32A. 750V.]
Marker No. _____

Model: **ZS6** [0.5-6 mm.² wire max., 41A. 750V.]
Marker No. _____

Q 'ty _____ Poles (8-Poles max.)
 Jumper Bar _____ Poles _____ Set

Q 'ty _____ Poles (8-Poles max.)
 Jumper Bar _____ Poles _____ Set

Terminal Block, Ex e (Pin type), **Brand: Elmex**

Model: **KUT 2.5** [0.5-2.5 mm.² wire max., 24A. 750V.]
Marker No. _____

Model: **KUT 4** [0.5-4 mm.² wire max., 32A. 750/550V.]
Marker No. _____

Model: **KUT 6** [1.5-6 mm.² wire max., 41A. 750/550V.]
Marker No. _____

Q 'ty _____ Poles (9-Poles max.)
 Jumper Bar _____ Poles _____ Set

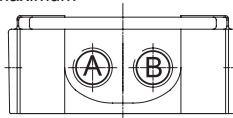
Q 'ty _____ Poles (8-Poles max.)
 Jumper Bar _____ Poles _____ Set

Q 'ty _____ Poles (8-Poles max.)
 Jumper Bar _____ Poles _____ Set

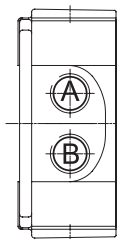
Ground Point (M4 Screw) 2-Internal Ground 4-Internal Ground 1-External Ground (standard)

Entries Thread ; One-Hole: 1" NPT or M32x1.5 maximum
Two-Holes: 3/4" NPT or M25x1.5 maximum

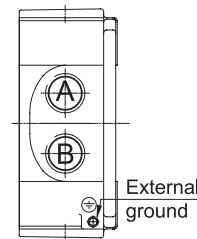
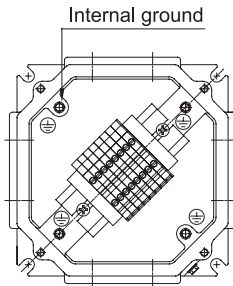
Left View
A _____
B _____



Top View
A _____
B _____



Bottom View
A _____
B _____



Right View
A _____
B _____