



www.fine-tek.com

Pressure Switch



SQ24 SPST TYPE

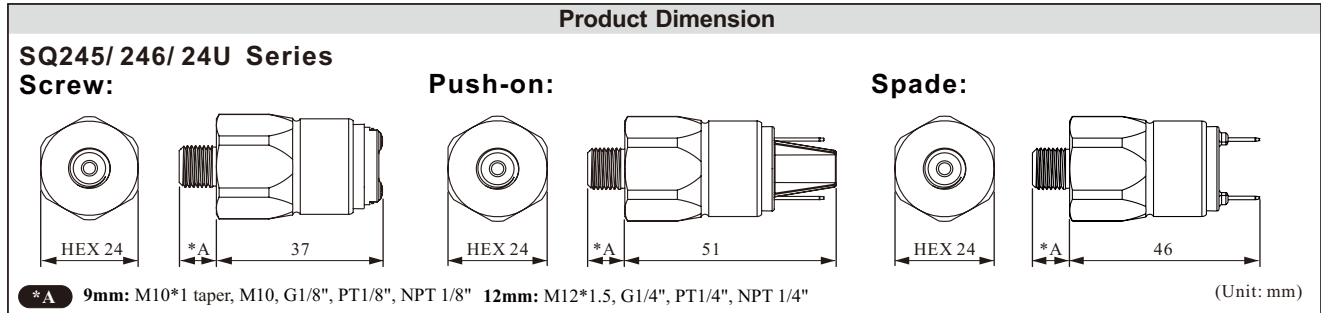


| TYPE | SQ245 Series | | | SQ246 Series | | | SQ24U Series | | |
|--|--|-----------|----------------|--|-----------|----------------|--|-----------|----------------|
| Hex length | 24mm | | | 24mm | | | 24mm | | |
| Body material | Zinc-Plated Steel ROHS | | | SUS316 | | | Brass | | |
| Wiring | Screw | Push-on | Spade Terminal | Screw | Push-on | Spade Terminal | Screw | Push-on | Spade Terminal |
| Contact rating (Max.) | 4A/ 50Vdc, 4A/ 250Vac | | | 4A/ 50Vdc, 4A/ 250Vac | | | 4A/ 50Vdc, 4A/ 250Vac | | |
| Response frequency | 2Hz | | | 2Hz | | | 2Hz | | |
| Max. Voltage peak | 1.5KV (IEC60947-2) | | | 1.5KV (IEC60947-2) | | | 1.5KV (IEC60947-2) | | |
| Electric insulation | 100MΩ(IEC60092-54 section3) | | | 100MΩ(IEC60092-54 section3) | | | 100MΩ(IEC60092-54 section3) | | |
| Membrane materials/ Operation temperature | NBR(Standard) | -10~100°C | | NBR(Standard) | -10~100°C | | NBR(Standard) | -10~100°C | |
| | VITON | -10~100°C | | VITON | -10~100°C | | VITON | -10~100°C | |
| | EPDM | -10~100°C | | EPDM | -10~100°C | | EPDM | -10~100°C | |
| | NBR(Low Temp.) | -30~100°C | | NBR(Low Temp.) | -30~100°C | | NBR(Low Temp.) | -30~100°C | |
| | VITON(Low Temp.) | -30~100°C | | VITON(Low Temp.) | -30~100°C | | VITON(Low Temp.) | -30~100°C | |
| | EPDM(Low Temp.) | -30~100°C | | EPDM(Low Temp.) | -30~100°C | | EPDM(Low Temp.) | -30~100°C | |
| Pressure range | 0.2~99bar (≤20bar with UL certification) | | | 0.2~99bar (≤20bar with UL certification) | | | 0.2~99bar (≤20bar with UL certification) | | |
| Piping selection | M10*1 (taper) M10*1, M12*1.5 PT1/8", PT1/4" G1/8", G1/4" NPT 1/8", NPT 1/4" | | | M10*1 (taper) M10*1, M12*1.5 PT1/8", PT1/4" G1/8", G1/4" NPT 1/8", NPT 1/4" | | | M10*1 (taper) M10*1, M12*1.5 PT1/8", PT1/4" G1/8", G1/4" NPT 1/8", NPT 1/4" | | |
| Contact model | NO, NC | | | NO, NC | | | NO, NC | | |
| Protection | IP67 (IEC 60529) | | | IP67 (IEC 60529) | | | IP67 (IEC 60529) | | |
| Mechanical life | 1.5X10 ⁶ cycles (in 50 bar) | | | 1.5X10 ⁶ cycles (in 50 bar) | | | 1.5X10 ⁶ cycles (in 50 bar) | | |
| Screw torque | <0.35Nm | | | <0.35Nm | | | <0.35Nm | | |
| Shock resistance | ISO / IEC 17025, Half Sine Wave, Acceleration: 30G@14ms, ±X, ±Y, ±Z axis | | | ISO / IEC 17025, Half Sine Wave, Acceleration: 30G@14ms, ±X, ±Y, ±Z axis | | | ISO / IEC 17025, Half Sine Wave, Acceleration: 30G@14ms, ±X, ±Y, ±Z axis | | |
| Vibration resistance | ISO / IEC 17025, Sine Wave, 5-200 Hz, Acceleration: 10G, Displacement: 16 mm, Sweeping Rate: 1 Oct/ min, Test Direction: X, Y, Z axis, Test Time: 1hr for each | | | ISO / IEC 17025, Sine Wave, 5-200 Hz, Acceleration: 10G, Displacement: 16 mm, Sweeping Rate: 1 Oct/ min, Test Direction: X, Y, Z axis, Test Time: 1hr for each | | | ISO / IEC 17025, Sine Wave, 5-200 Hz, Acceleration: 10G, Displacement: 16 mm, Sweeping Rate: 1 Oct/ min, Test Direction: X, Y, Z axis, Test Time: 1hr for each | | |

| Feature |
|--|
| <ul style="list-style-type: none"> ■ Robust In Any Severe Application ■ Customized Body Housing (steel, Sus316, Brass) ■ Selectable Contact (Gold Contact or Silver Contact) ■ Screw / Push-on Terminal Contact Selectable ■ High Quality And Cost Effective ■ Adjustable Pressure Range Setting |

| Application |
|---|
| <ul style="list-style-type: none"> ■ Pressure Detection For Automobile Braking System ■ Pressure Control For Piping System ■ Hydraulic Detection For Fire Fighting System ■ Hydraulic Industry ■ Lubrication System ■ Sprinkler System ■ Air Compressor ■ Medical Equipment ■ Tire Manufacturing |

PRODUCT DIMENSION/ PRESSURE RANGE TOLERANCE



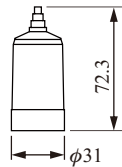
SQ24 Series Field Adjustable/ Fixed Pressure

※ ≤20bar with UL certification

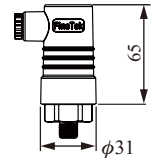
| Pressure range | Tolerance | Connection | | |
|----------------|-----------|---------------|-----|---------------|
| 0.2~0.9bar | ±0.1bar | M10X1 (taper) | | |
| | | M10X1 | | |
| | | M12X1.5 | | |
| | | 1/8"PT | | |
| | | 1/4"PT | | |
| | | 1/8"G | | |
| | | 1/4"G | | |
| | | 1/8"NPT | | |
| 1~9.9bar | ±0.5bar | M10X1 (taper) | | |
| | | M10X1 | | |
| | | M12X1.5 | | |
| | | 1/8"PT | | |
| | | 1/4"PT | | |
| | | 1/8"G | | |
| | | 1/4"G | | |
| | | 1/8"NPT | | |
| 10~19bar | ±5% | 1/4"NPT | | |
| | | M10X1 (taper) | | |
| | | M10X1 | | |
| | | M12X1.5 | | |
| 20~49bar | ±5% | 1/8"PT | | |
| | | 1/4"PT | | |
| | | 1/8"G | | |
| | | 1/4"G | | |
| | | 1/8"NPT | | |
| | | 1/4"NPT | | |
| | | 50~99bar | ±5% | M10X1 (taper) |
| | | | | M10X1 |
| M12X1.5 | | | | |
| 1/8"PT | | | | |
| 1/4"PT | | | | |
| 1/8"G | | | | |
| 1/4"G | | | | |
| 1/8"NPT | | | | |
| 1/4"NPT | | | | |

Option:

Body Protect Cover: SQXAM1P-07D0000001
Material: NBR
Protection Grade: IP67



Body Protect Cover: SQXCM1P-PGA0000001
Material: Nylon
Protection Grade: IP67
★ Only SQ24 Push-on Type to use.



To comply with CE, SQ24 series need to add anti-dust cover.

SQ24 HIGH PRESSURE SPST TYPE

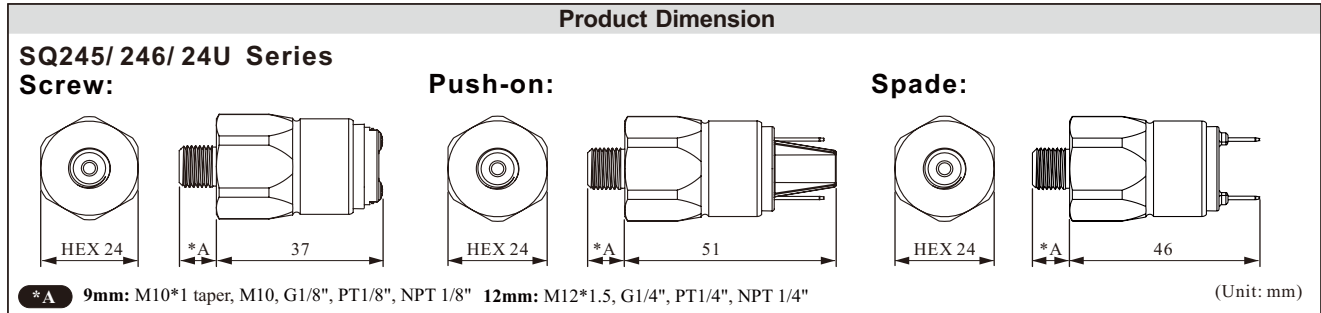


| TYPE | SQ245 Series | SQ246 Series |
|----------------------------------|--|--|
| Hex Length | 24mm | 24mm |
| Body Material | Zinc-Plated Steel ROHS | SUS316 |
| Wiring | Screw Push-on Spade Terminal | Screw Push-on Spade Terminal |
| Contact rating (Max.) | 4A/ 50Vdc, 4A/ 250Vac | 4A/ 50Vdc, 4A/ 250Vac |
| Response Frequency | 2Hz | 2Hz |
| Max. Voltage Peak | 1.5KV (IEC60947-2) | 1.5KV (IEC60947-2) |
| Electric Insulation | 100MΩ(IEC60092-54 section3) | 100MΩ(IEC60092-54 section3) |
| Operation Temperature | -10°C ~100°C (IEC 60068-2-2) | -10°C ~100°C (IEC 60068-2-2) |
| Pressure Range | 100~300bar | 100~300bar |
| Pressure Acting Variation | ± 5% full set point range @20°C | ± 5% full set point range @20°C |
| Piping Selection | M10*1 (taper) M10*1, M12*1.5 PT1/8", PT1/4" G1/8", G1/4" NPT 1/8", NPT 1/4" | M10*1 (taper) M10*1, M12*1.5 PT1/8", PT1/4" G1/8", G1/4" NPT 1/8", NPT 1/4" |
| Contact Model | NO, NC | NO, NC |
| Body Protection | IP00 (IEC 60529) | IP00 (IEC 60529) |
| Protection | IP67 (IEC 60529) | IP67 (IEC 60529) |
| Mechanical Life | 1.5X10 ⁶ cycles (in 50 bar) | 1.5X10 ⁶ cycles (in 50 bar) |
| Screw Torque | <0.35Nm | <0.35Nm |
| Shock Resistance | ISO / IEC 17025, Half Sine Wave, Acceleration: 30G@14ms, ±X, ±Y, ±Z axis | ISO / IEC 17025, Half Sine Wave, Acceleration: 30G@14ms, ±X, ±Y, ±Z axis |
| Vibration Resistance | ISO / IEC 17025, Sine Wave, 5-200 Hz, Acceleration: 10G, Displacement: 16 mm, Sweeping Rate: 1 Oct/ min, Test Direction: X, Y, Z axis, Test Time: 1hr for each | ISO / IEC 17025, Sine Wave, 5-200 Hz, Acceleration: 10G, Displacement: 16 mm, Sweeping Rate: 1 Oct/ min, Test Direction: X, Y, Z axis, Test Time: 1hr for each |

| Feature |
|--|
| <ul style="list-style-type: none"> ■ Robust In Any Severe Application ■ Customized Body Housing (steel, Sus316, Brass) ■ Selectable Contact (Gold Contact or Silver Contact) ■ Screw / Push-on Terminal Contact Selectable ■ High Quality And Cost Effective ■ Adjustable Pressure Range Setting |

| Application |
|---|
| <ul style="list-style-type: none"> ■ Pressure Detection For Automobile Braking System ■ Pressure Control For Piping System ■ Hydraulic Detection For Fire Fighting System ■ Hydraulic Industry ■ Lubrication System ■ Sprinkler System ■ Air Compressor ■ Medical Equipment ■ Tire Manufacturing |

PRODUCT DIMENSION/ PRESSURE RANGE TOLERANCE

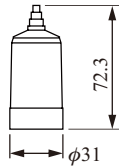


SQ24 Series Field Adjustable/ Fixed Pressure

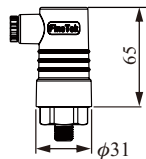
| Pressure range | Tolerance | Connection |
|----------------|-----------|---------------|
| 100~300bar | ± 5% | M10X1 (taper) |
| | | M10X1 |
| | | M12X1.5 |
| | | 1/8"PT |
| | | 1/4"PT |
| | | 1/8"G |
| | | 1/4"G |
| | | 1/8"NPT |
| 1/4"NPT | | |

Option:

Body Protect Cover: SQXAM1P-07D0000001
Material: NBR
Protection Grade: IP67



Body Protect Cover: SQXCM1P-PGA0000001
Material: Nylon
Protection Grade: IP67
★ Only SQ24 Push-on Type to use.



To comply with CE, SQ24 series need to add anti-dust cover.

SQ24 WITH EXTENSION SOCKET

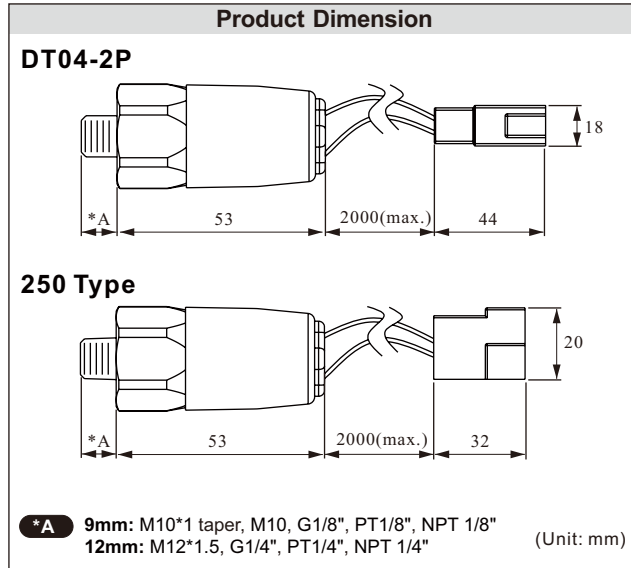


| TYPE | SQ245 Series | SQ246 Series | SQ24U Series |
|--|--|--|--|
| Hex Length | 24mm | 24mm | 24mm |
| Body Material | Zinc-Plated Steel | SUS316 | Brass |
| Wiring | DT04-2P, 250 Type | DT04-2P, 250 Type | DT04-2P, 250 Type |
| Contact rating (Max.) | 4A/ 50Vdc, 4A/ 250Vac | 4A/ 50Vdc, 4A/ 250Vac | 4A/ 50Vdc, 4A/ 250Vac |
| Response Frequency | 2Hz | 2Hz | 2Hz |
| Max. Voltage Peak | 1.5KV (IEC60947-2) | 1.5KV (IEC60947-2) | 1.5KV (IEC60947-2) |
| Electric Insulation | 100MΩ(IEC60092-54 section3) | 100MΩ(IEC60092-54 section3) | 100MΩ(IEC60092-54 section3) |
| Membrane materials/ Operation temperature | NBR(Standard) -10~100°C VITON -10~100°C EPDM -10~100°C NBR(Low Temp.) -30~100°C VITON(Low Temp.) -30~100°C EPDM(Low Temp.) -30~100°C | NBR(Standard) -10~100°C VITON -10~100°C EPDM -10~100°C NBR(Low Temp.) -30~100°C VITON(Low Temp.) -30~100°C EPDM(Low Temp.) -30~100°C | NBR(Standard) -10~100°C VITON -10~100°C EPDM -10~100°C NBR(Low Temp.) -30~100°C VITON(Low Temp.) -30~100°C EPDM(Low Temp.) -30~100°C |
| Pressure Range | 0.2~300bar | 0.2~300bar | 0.2~300bar |
| Piping Selection | M10*1 (taper) M10*1, M12*1.5 PT1/8", PT1/4" G1/8", G1/4" NPT 1/8", NPT 1/4" | M10*1 (taper) M10*1, M12*1.5 PT1/8", PT1/4" G1/8", G1/4" NPT 1/8", NPT 1/4" | M10*1 (taper) M10*1, M12*1.5 PT1/8", PT1/4" G1/8", G1/4" NPT 1/8", NPT 1/4" |
| Contact Model | NO, NC | NO, NC | NO, NC |
| Protection | IP67 (IEC 60529) | IP67 (IEC 60529) | IP67 (IEC 60529) |
| Mechanical Life | 1.5X10 ⁶ cycles (in 50 bar) | 1.5X10 ⁶ cycles (in 50 bar) | 1.5X10 ⁶ cycles (in 50 bar) |
| Shock Resistance | ISO / IEC 17025, Half Sine Wave, Acceleration: 30G@14ms, ±X, ±Y, ±Z axis | ISO / IEC 17025, Half Sine Wave, Acceleration: 30G@14ms, ±X, ±Y, ±Z axis | ISO / IEC 17025, Half Sine Wave, Acceleration: 30G@14ms, ±X, ±Y, ±Z axis |
| Vibration Resistance | ISO / IEC 17025, Sine Wave, 5-200 Hz, Acceleration: 10G, Displacement: 16 mm, Sweeping Rate: 1 Oct/ min, Test Direction: X, Y, Z axis, Test Time: 1hr for each | ISO / IEC 17025, Sine Wave, 5-200 Hz, Acceleration: 10G, Displacement: 16 mm, Sweeping Rate: 1 Oct/ min, Test Direction: X, Y, Z axis, Test Time: 1hr for each | ISO / IEC 17025, Sine Wave, 5-200 Hz, Acceleration: 10G, Displacement: 16 mm, Sweeping Rate: 1 Oct/ min, Test Direction: X, Y, Z axis, Test Time: 1hr for each |

| Feature |
|--|
| <ul style="list-style-type: none"> ■ Robust In Any Severe Application ■ Customized Body Housing (steel, Sus316, Brass) ■ Selectable Contact (gold Contact Or Silver Contact) ■ Screw / Push-on Terminal Contact Selectable ■ High Quality And Cost Effective ■ Adjustable Pressure Range Setting |

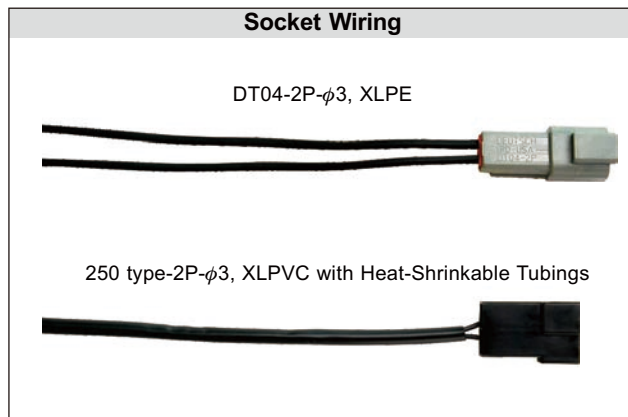
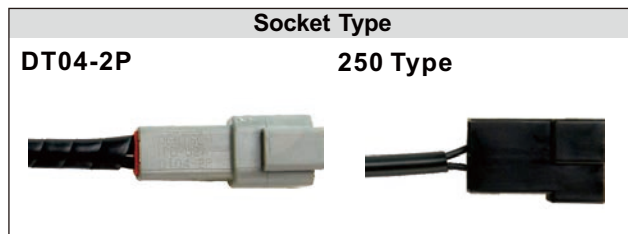
| Application |
|---|
| <ul style="list-style-type: none"> ■ Pressure Detection For Automobile Braking System ■ Pressure Control For Piping System ■ Hydraulic Detection For Fire Fighting System ■ Hydraulic Industry ■ Lubrication System ■ Sprinkler System ■ Air Compressor ■ Medical Equipment ■ Tire Manufacturing |

PRODUCT DIMENSION/ PRESSURE RANGE TOLERANCE



SQ24 Series Fixed Pressure

| Pressure range | Tolerance | Connection |
|----------------|-----------|---------------|
| 0.2~0.9 bar | ± 0.1 Bar | M10X1 (taper) |
| | | M10X1 |
| | | M12X1.5 |
| 1~9.9 bar | ± 0.5 Bar | 1/8"PT |
| | | 1/4"PT |
| | | 1/8"G |
| 100~300 bar | ± 5 % | 1/4"G |
| | | 1/8"NPT |
| | | 1/4"NPT |



SQ27 SPDT TYPE

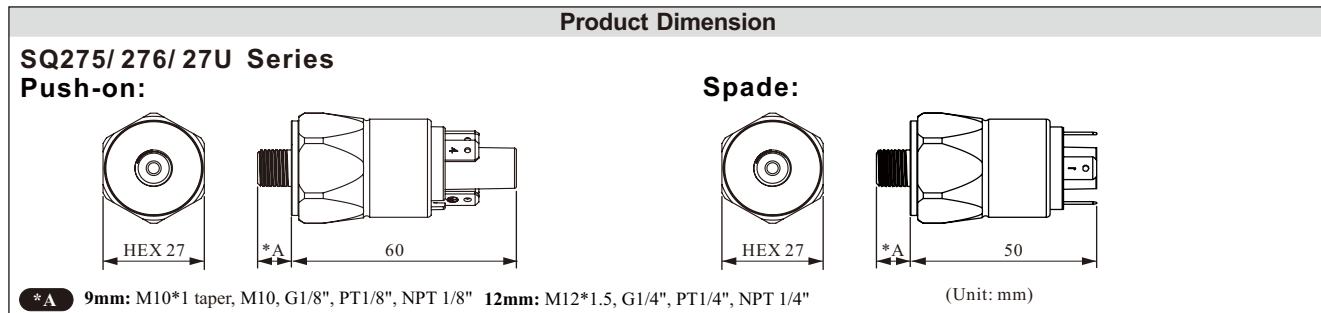


| TYPE | SQ275 Series | | SQ276 Series | | SQ27U Series | |
|--|--|----------------|--|----------------|--|----------------|
| Hex Length | 27mm | | 27mm | | 27mm | |
| Body Material | Zinc-Plated Steel | | SUS316 | | Brass | |
| Wiring | Push-on | Spade Terminal | Push-on | Spade Terminal | Push-on | Spade Terminal |
| Contact rating (Max.) | 2A/ 50Vdc, 4A/ 250Vac | | 2A/ 50Vdc, 4A/ 250Vac | | 2A/ 50Vdc, 4A/ 250Vac | |
| Response Frequency | 2Hz | | 2Hz | | 2Hz | |
| Max. Voltage Peak | 1.5KV (IEC60947-2) | | 1.5KV (IEC60947-2) | | 1.5KV (IEC60947-2) | |
| Electric Insulation | 100MΩ(IEC60092-54 section3) | | 100MΩ(IEC60092-54 section3) | | 100MΩ(IEC60092-54 section3) | |
| Membrane materials/ Operation temperature | NBR(Standard) -10~100°C VITON -10~100°C EPDM -10~100°C NBR(Low Temp.) -30~100°C VITON(Low Temp.) -30~100°C EPDM(Low Temp.) -30~100°C | | NBR(Standard) -10~100°C VITON -10~100°C EPDM -10~100°C NBR(Low Temp.) -30~100°C VITON(Low Temp.) -30~100°C EPDM(Low Temp.) -30~100°C | | NBR(Standard) -10~100°C VITON -10~100°C EPDM -10~100°C NBR(Low Temp.) -30~100°C VITON(Low Temp.) -30~100°C EPDM(Low Temp.) -30~100°C | |
| Pressure Range | 0.3~100bar (≤20bar with UL certification) | | 0.3~100bar (≤20bar with UL certification) | | 0.3~100bar (≤20bar with UL certification) | |
| Piping Selection | M10*1 (taper) M10*1, M12*1.5 PT1/8", PT1/4" G1/8", G1/4" NPT 1/8", NPT 1/4" | | M10*1 (taper) M10*1, M12*1.5 PT1/8", PT1/4" G1/8", G1/4" NPT 1/8", NPT 1/4" | | M10*1 (taper) M10*1, M12*1.5 PT1/8", PT1/4" G1/8", G1/4" NPT 1/8", NPT 1/4" | |
| Contact Model | SPDT | | SPDT | | SPDT | |
| Body Protection | IP00 (IEC 60529) | | IP00 (IEC 60529) | | IP00 (IEC 60529) | |
| Protection | IP65 (IEC 60529) | | IP65 (IEC 60529) | | IP65 (IEC 60529) | |
| Mechanical Life | 1.5X10 ⁶ cycles (in 50 bar) | | 1.5X10 ⁶ cycles (in 50 bar) | | 1.5X10 ⁶ cycles (in 50 bar) | |
| Screw Torque | <0.35Nm | | <0.35Nm | | <0.35Nm | |
| Shock Resistance | ISO / IEC 17025, Half Sine Wave, Acceleration: 30G@14ms, ±X, ±Y, ±Z axis | | ISO / IEC 17025, Half Sine Wave, Acceleration: 30G@14ms, ±X, ±Y, ±Z axis | | ISO / IEC 17025, Half Sine Wave, Acceleration: 30G@14ms, ±X, ±Y, ±Z axis | |
| Vibration Resistance | ISO / IEC 17025, Sine Wave, 5-200 Hz, Acceleration: 10G, Displacement: 16 mm, Sweeping Rate: 1 Oct/ min, Test Direction: X, Y, Z axis, Test Time: 1hr for each | | ISO / IEC 17025, Sine Wave, 5-200 Hz, Acceleration: 10G, Displacement: 16 mm, Sweeping Rate: 1 Oct/ min, Test Direction: X, Y, Z axis, Test Time: 1hr for each | | ISO / IEC 17025, Sine Wave, 5-200 Hz, Acceleration: 10G, Displacement: 16 mm, Sweeping Rate: 1 Oct/ min, Test Direction: X, Y, Z axis, Test Time: 1hr for each | |

| Feature |
|--|
| <ul style="list-style-type: none"> ■ Robust In Any Severe Application ■ Customized Body Housing (steel, Sus316, Brass) ■ Selectable Contact (gold Contact Or Silver Contact) ■ Screw / Push-on Terminal Contact Selectable ■ High Quality And Cost Effective ■ Adjustable Pressure Range Setting |

| Application |
|---|
| <ul style="list-style-type: none"> ■ Pressure Detection For Automobile Braking System ■ Pressure Control For Piping System ■ Hydraulic Detection For Fire Fighting System ■ Hydraulic Industry ■ Lubrication System ■ Sprinkler System ■ Air Compressor ■ Medical Equipment ■ Tire Manufacturing |

PRODUCT DIMENSION/ PRESSURE RANGE TOLERANCE



SQ27 Series Field Adjustable/ Fixed Pressure

※ ≤20bar with UL certification

| Pressure range | Tolerance | Connection |
|----------------|-----------|---------------|
| 0.3~0.9bar | ± 0.1 bar | M10X1 (taper) |
| | | M10X1 |
| | | M12X1.5 |
| | | 1/8"PT |
| | | 1/4"PT |
| | | 1/8"G |
| | | 1/4"G |
| | | 1/8"NPT |
| 1~9.9bar | ± 0.5 bar | 1/4"NPT |
| | | M10X1 (taper) |
| | | M10X1 |
| | | M12X1.5 |
| 10~19bar | ± 5% | 1/8"PT |
| | | 1/4"PT |
| | | 1/8"G |
| | | 1/4"G |
| 20~49bar | ± 5% | 1/8"NPT |
| | | 1/4"NPT |
| | | M10X1 (taper) |
| | | M10X1 |
| | | M12X1.5 |
| 50~100bar | ± 5% | 1/8"PT |
| | | 1/4"PT |
| | | 1/8"G |
| | | 1/4"G |
| | | 1/8"NPT |
| | | 1/4"NPT |
| | | M10X1 (taper) |
| | | M10X1 |

SQ27 DIN TYPE

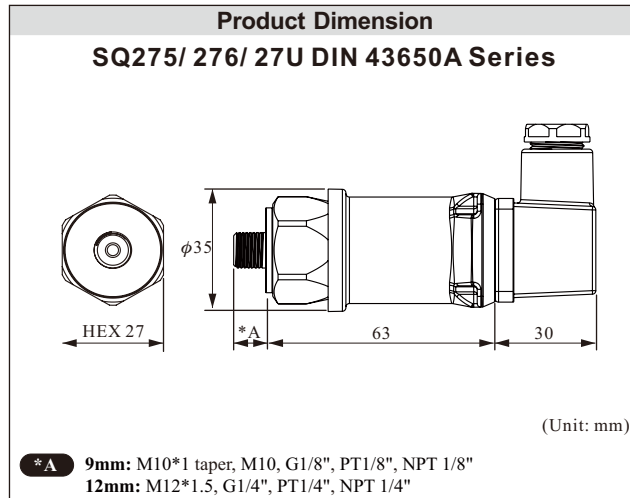


| TYPE | SQ275 Series | SQ276 Series | SQ27U Series |
|--|--|--|--|
| Hex Length | 27mm | 27mm | 27mm |
| Body Material | Zinc-Plated Steel ROHS | SUS316 | Brass |
| Contact rating (Max.) | 2A/ 50Vdc, 4A/ 250Vac | 2A/ 50Vdc, 4A/ 250Vac | 2A/ 50Vdc, 4A/ 250Vac |
| Response Frequency | 2Hz | 2Hz | 2Hz |
| Max. Voltage Peak | 1.5KV (IEC60947-2) | 1.5KV (IEC60947-2) | 1.5KV (IEC60947-2) |
| Electric Insulation | 100MΩ(IEC60092-54 section3) | 100MΩ(IEC60092-54 section3) | 100MΩ(IEC60092-54 section3) |
| Membrane materials/ Operation temperature | NBR(Standard) -10~100°C VITON -10~100°C EPDM -10~100°C NBR(Low Temp.) -30~100°C VITON(Low Temp.) -30~100°C EPDM(Low Temp.) -30~100°C | NBR(Standard) -10~100°C VITON -10~100°C EPDM -10~100°C NBR(Low Temp.) -30~100°C VITON(Low Temp.) -30~100°C EPDM(Low Temp.) -30~100°C | NBR(Standard) -10~100°C VITON -10~100°C EPDM -10~100°C NBR(Low Temp.) -30~100°C VITON(Low Temp.) -30~100°C EPDM(Low Temp.) -30~100°C |
| Pressure Range | 0.3~100bar (≤20bar with UL certification) | 0.3~100bar (≤20bar with UL certification) | 0.3~100bar (≤20bar with UL certification) |
| Piping Selection | M10*1 (taper) M10*1, M12*1.5 PT1/8", PT1/4" G1/8", G1/4" NPT 1/8", NPT 1/4" | M10*1 (taper) M10*1, M12*1.5 PT1/8", PT1/4" G1/8", G1/4" NPT 1/8", NPT 1/4" | M10*1 (taper) M10*1, M12*1.5 PT1/8", PT1/4" G1/8", G1/4" NPT 1/8", NPT 1/4" |
| Contact Model | SPDT | SPDT | SPDT |
| Protection | IP65 (IEC 60529) | IP65 (IEC 60529) | IP65 (IEC 60529) |
| Mechanical Life | 1.5X10 ⁶ cycles (in 50 bar) | 1.5X10 ⁶ cycles (in 50 bar) | 1.5X10 ⁶ cycles (in 50 bar) |
| Screw Torque | <0.35Nm | <0.35Nm | <0.35Nm |
| Shock Resistance | ISO / IEC 17025, Half Sine Wave, Acceleration: 30G@14ms, ±X, ±Y, ±Z axis | ISO / IEC 17025, Half Sine Wave, Acceleration: 30G@14ms, ±X, ±Y, ±Z axis | ISO / IEC 17025, Half Sine Wave, Acceleration: 30G@14ms, ±X, ±Y, ±Z axis |
| Vibration Resistance | ISO / IEC 17025, Sine Wave, 5-200 Hz, Acceleration: 10G, Displacement: 16 mm, Sweeping Rate: 1 Oct/ min, Test Direction: X, Y, Z axis, Test Time: 1hr for each | ISO / IEC 17025, Sine Wave, 5-200 Hz, Acceleration: 10G, Displacement: 16 mm, Sweeping Rate: 1 Oct/ min, Test Direction: X, Y, Z axis, Test Time: 1hr for each | ISO / IEC 17025, Sine Wave, 5-200 Hz, Acceleration: 10G, Displacement: 16 mm, Sweeping Rate: 1 Oct/ min, Test Direction: X, Y, Z axis, Test Time: 1hr for each |

| Feature |
|--|
| <ul style="list-style-type: none"> ■ Robust In Any Severe Application ■ Customized Body Housing (steel, Sus316, Brass) ■ Selectable Contact (Gold Contact or Silver Contact) ■ Screw / Push-on Terminal Contact Selectable ■ High Quality And Cost Effective ■ Adjustable Pressure Range Setting |

| Application |
|---|
| <ul style="list-style-type: none"> ■ Pressure Detection For Automobile Braking System ■ Pressure Control For Piping System ■ Hydraulic Detection For Fire Fighting System ■ Hydraulic Industry ■ Lubrication System ■ Sprinkler System ■ Air Compressor ■ Medical Equipment ■ Tire Manufacturing |

PRODUCT DIMENSION/ PRESSURE RANGE TOLERANCE



SQ27 DIN Series Field Adjustable/ Fixed Pressure

※ ≤20bar with UL certification

| Pressure range | Tolerance | Connection |
|----------------|-----------|---------------|
| 0.3~0.9bar | ± 0.1 bar | M10X1 (taper) |
| | | M10X1 |
| | | M12X1.5 |
| | | 1/8"PT |
| | | 1/4"PT |
| | | 1/8"G |
| | | 1/4"G |
| | | 1/8"NPT |
| 1~9.9bar | ± 0.5 bar | M10X1 (taper) |
| | | M10X1 |
| | | M12X1.5 |
| | | 1/8"PT |
| 10~19bar | ± 5% | 1/4"PT |
| | | 1/8"G |
| | | 1/4"G |
| | | 1/8"NPT |
| 20~49bar | ± 5% | 1/4"NPT |
| | | M10X1 (taper) |
| | | M10X1 |
| | | M12X1.5 |
| | | 1/8"PT |
| | | 1/4"PT |
| 50~100bar | ± 5% | 1/8"G |
| | | 1/4"G |
| | | 1/8"NPT |
| | | 1/4"NPT |
| | | M10X1 (taper) |
| | | M10X1 |
| | | M12X1.5 |
| | | 1/8"PT |
| 1/4"PT | | |
| 50~100bar | ± 5% | 1/8"G |
| | | 1/4"G |
| | | 1/8"NPT |
| | | 1/4"NPT |
| | | M10X1 (taper) |
| | | M10X1 |

SQ34 SPST HIGH ACCURAY TYPE

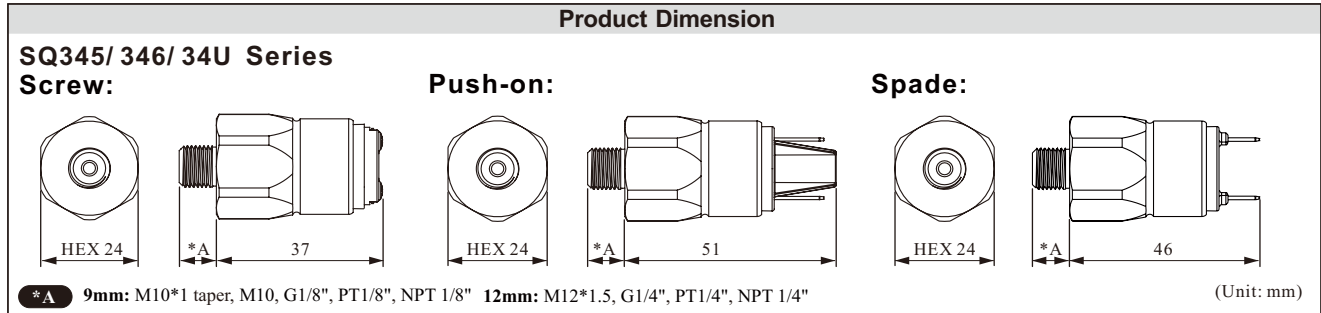


| TYPE | SQ345 Series | | | SQ346 Series | | | SQ34U Series | | |
|--|--|-----------|----------------|--|-----------|----------------|--|-----------|----------------|
| Hex length | 24mm | | | 24mm | | | 24mm | | |
| Body material | Zinc-Plated Steel ROHS | | | SUS316 | | | Brass | | |
| Wiring | Screw | Push-on | Spade Terminal | Screw | Push-on | Spade Terminal | Screw | Push-on | Spade Terminal |
| Contact rating (Max.) | 4A/ 50Vdc, 4A/ 250Vac | | | 4A/ 50Vdc, 4A/ 250Vac | | | 4A/ 50Vdc, 4A/ 250Vac | | |
| Response frequency | 2Hz | | | 2Hz | | | 2Hz | | |
| Max. Voltage peak | 1.5KV (IEC60947-2) | | | 1.5KV (IEC60947-2) | | | 1.5KV (IEC60947-2) | | |
| Electric insulation | 100MΩ(IEC60092-54 section3) | | | 100MΩ(IEC60092-54 section3) | | | 100MΩ(IEC60092-54 section3) | | |
| Membrane materials/ Operation temperature | NBR(Standard) | -10~100°C | | NBR(Standard) | -10~100°C | | NBR(Standard) | -10~100°C | |
| | VITON | -10~100°C | | VITON | -10~100°C | | VITON | -10~100°C | |
| | EPDM | -10~100°C | | EPDM | -10~100°C | | EPDM | -10~100°C | |
| | NBR(Low Temp.) | -30~100°C | | NBR(Low Temp.) | -30~100°C | | NBR(Low Temp.) | -30~100°C | |
| | VITON(Low Temp.) | -30~100°C | | VITON(Low Temp.) | -30~100°C | | VITON(Low Temp.) | -30~100°C | |
| | EPDM(Low Temp.) | -30~100°C | | EPDM(Low Temp.) | -30~100°C | | EPDM(Low Temp.) | -30~100°C | |
| Pressure range | 0.2~99bar (≤20bar with UL certification) | | | 0.2~99bar (≤20bar with UL certification) | | | 0.2~99bar (≤20bar with UL certification) | | |
| Piping selection | M10*1 (taper) M10*1, M12*1.5 PT1/8", PT1/4" G1/8", G1/4" NPT 1/8", NPT 1/4" | | | M10*1 (taper) M10*1, M12*1.5 PT1/8", PT1/4" G1/8", G1/4" NPT 1/8", NPT 1/4" | | | M10*1 (taper) M10*1, M12*1.5 PT1/8", PT1/4" G1/8", G1/4" NPT 1/8", NPT 1/4" | | |
| Contact model | NO, NC | | | NO, NC | | | NO, NC | | |
| Protection | IP67 (IEC 60529) | | | IP67 (IEC 60529) | | | IP67 (IEC 60529) | | |
| Mechanical life | 1.5X10 ⁶ cycles (in 50 bar) | | | 1.5X10 ⁶ cycles (in 50 bar) | | | 1.5X10 ⁶ cycles (in 50 bar) | | |
| Screw torque | <0.35Nm | | | <0.35Nm | | | <0.35Nm | | |
| Shock resistance | ISO / IEC 17025, Half Sine Wave, Acceleration: 30G@14ms, ±X, ±Y, ±Z axis | | | ISO / IEC 17025, Half Sine Wave, Acceleration: 30G@14ms, ±X, ±Y, ±Z axis | | | ISO / IEC 17025, Half Sine Wave, Acceleration: 30G@14ms, ±X, ±Y, ±Z axis | | |
| Vibration resistance | ISO / IEC 17025, Sine Wave, 5-200 Hz, Acceleration: 10G, Displacement: 16 mm, Sweeping Rate: 1 Oct/ min, Test Direction: X, Y, Z axis, Test Time: 1hr for each | | | ISO / IEC 17025, Sine Wave, 5-200 Hz, Acceleration: 10G, Displacement: 16 mm, Sweeping Rate: 1 Oct/ min, Test Direction: X, Y, Z axis, Test Time: 1hr for each | | | ISO / IEC 17025, Sine Wave, 5-200 Hz, Acceleration: 10G, Displacement: 16 mm, Sweeping Rate: 1 Oct/ min, Test Direction: X, Y, Z axis, Test Time: 1hr for each | | |

| Feature |
|--|
| <ul style="list-style-type: none"> ■ Robust In Any Severe Application ■ Customized Body Housing (steel, Sus316, Brass) ■ Selectable Contact (Gold Contact or Silver Contact) ■ Screw / Push-on Terminal Contact Selectable ■ High Quality And Cost Effective ■ Adjustable Pressure Range Setting |

| Application |
|---|
| <ul style="list-style-type: none"> ■ Pressure Detection For Automobile Braking System ■ Pressure Control For Piping System ■ Hydraulic Detection For Fire Fighting System ■ Hydraulic Industry ■ Lubrication System ■ Sprinkler System ■ Air Compressor ■ Medical Equipment ■ Tire Manufacturing |

PRODUCT DIMENSION/ PRESSURE RANGE TOLERANCE



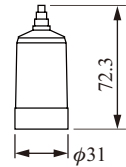
SQ34 Series Field Adjustable Pressure/ Fixed Pressure

※ ≤20bar with UL certification

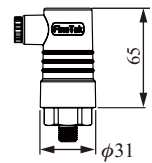
| Pressure range | Tolerance | Connection |
|----------------|-----------|---------------|
| 0.2~0.9bar | ±0.05bar | M10X1 (taper) |
| | | M10X1 |
| | | M12X1.5 |
| | | 1/8"PT |
| | | 1/4"PT |
| | | 1/8"G |
| | | 1/4"G |
| | | 1/8"NPT |
| 1~9.9bar | ±0.3bar | M10X1 (taper) |
| | | M10X1 |
| | | M12X1.5 |
| | | 1/8"PT |
| | | 1/4"PT |
| | | 1/8"G |
| | | 1/4"G |
| | | 1/8"NPT |
| 10~19bar | ±3% | M10X1 (taper) |
| | | M10X1 |
| | | M12X1.5 |
| | | 1/8"PT |
| | | 1/4"PT |
| | | 1/8"G |
| | | 1/4"G |
| | | 1/8"NPT |
| 20~49bar | ±3% | M10X1 (taper) |
| | | M10X1 |
| | | M12X1.5 |
| | | 1/8"PT |
| | | 1/4"PT |
| | | 1/8"G |
| | | 1/4"G |
| | | 1/8"NPT |
| 50~99bar | ±3% | M10X1 (taper) |
| | | M10X1 |
| | | M12X1.5 |
| | | 1/8"PT |
| | | 1/4"PT |
| | | 1/8"G |
| | | 1/4"G |
| | | 1/8"NPT |

Option:

Body Protect Cover: SQXAM1P-07D0000001
Material: NBR
Protection Grade: IP67



Body Protect Cover: SQXCM1P-PGA0000001
Material: Nylon
Protection Grade: IP67
★ Only SQ34 Push-on Type to use.



To comply with CE, SQ34 series need to add anti-dust cover.

SQ34 SPST HIGH ACCURAY TYPE

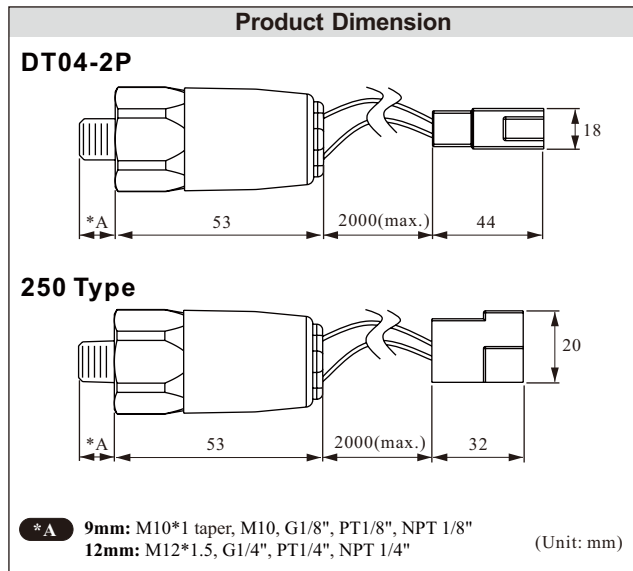


| TYPE | SQ345 Series | SQ346 Series | SQ34U Series |
|--|--|--|--|
| Hex Length | 24mm | 24mm | 24mm |
| Body Material | Zinc-Plated Steel | SUS316 | Brass |
| Wiring | DT04-2P, 250 Type | DT04-2P, 250 Type | DT04-2P, 250 Type |
| Contact rating (Max.) | 4A/ 50Vdc, 4A/ 250Vac | 4A/ 50Vdc, 4A/ 250Vac | 4A/ 50Vdc, 4A/ 250Vac |
| Response Frequency | 2Hz | 2Hz | 2Hz |
| Max. Voltage Peak | 1.5KV (IEC60947-2) | 1.5KV (IEC60947-2) | 1.5KV (IEC60947-2) |
| Electric Insulation | 100MΩ(IEC60092-54 section3) | 100MΩ(IEC60092-54 section3) | 100MΩ(IEC60092-54 section3) |
| Membrane materials/ Operation temperature | NBR(Standard) -10~100°C VITON -10~100°C EPDM -10~100°C NBR(Low Temp.) -30~100°C VITON(Low Temp.) -30~100°C EPDM(Low Temp.) -30~100°C | NBR(Standard) -10~100°C VITON -10~100°C EPDM -10~100°C NBR(Low Temp.) -30~100°C VITON(Low Temp.) -30~100°C EPDM(Low Temp.) -30~100°C | NBR(Standard) -10~100°C VITON -10~100°C EPDM -10~100°C NBR(Low Temp.) -30~100°C VITON(Low Temp.) -30~100°C EPDM(Low Temp.) -30~100°C |
| Pressure Range | 0.2~99bar | 0.2~99bar | 0.2~99bar |
| Piping Selection | M10*1 (taper) M10*1, M12*1.5 PT1/8", PT1/4" G1/8", G1/4" NPT 1/8", NPT 1/4" | M10*1 (taper) M10*1, M12*1.5 PT1/8", PT1/4" G1/8", G1/4" NPT 1/8", NPT 1/4" | M10*1 (taper) M10*1, M12*1.5 PT1/8", PT1/4" G1/8", G1/4" NPT 1/8", NPT 1/4" |
| Contact Model | NO, NC | NO, NC | NO, NC |
| Protection | IP67 (IEC 60529) | IP67 (IEC 60529) | IP67 (IEC 60529) |
| Mechanical Life | 1.5X10 ⁶ cycles (in 50 bar) | 1.5X10 ⁶ cycles (in 50 bar) | 1.5X10 ⁶ cycles (in 50 bar) |
| Shock Resistance | ISO / IEC 17025, Half Sine Wave, Acceleration: 30G@14ms, ±X, ±Y, ±Z axis | ISO / IEC 17025, Half Sine Wave, Acceleration: 30G@14ms, ±X, ±Y, ±Z axis | ISO / IEC 17025, Half Sine Wave, Acceleration: 30G@14ms, ±X, ±Y, ±Z axis |
| Vibration Resistance | ISO / IEC 17025, Sine Wave, 5-200 Hz, Acceleration: 10G, Displacement: 16 mm, Sweeping Rate: 1 Oct/ min, Test Direction: X, Y, Z axis, Test Time: 1hr for each | ISO / IEC 17025, Sine Wave, 5-200 Hz, Acceleration: 10G, Displacement: 16 mm, Sweeping Rate: 1 Oct/ min, Test Direction: X, Y, Z axis, Test Time: 1hr for each | ISO / IEC 17025, Sine Wave, 5-200 Hz, Acceleration: 10G, Displacement: 16 mm, Sweeping Rate: 1 Oct/ min, Test Direction: X, Y, Z axis, Test Time: 1hr for each |

| Feature |
|--|
| <ul style="list-style-type: none"> ■ Robust In Any Severe Application ■ Customized Body Housing (steel, Sus316, Brass) ■ Selectable Contact (gold Contact Or Silver Contact) ■ Screw / Push-on Terminal Contact Selectable ■ High Quality And Cost Effective ■ Adjustable Pressure Range Setting |

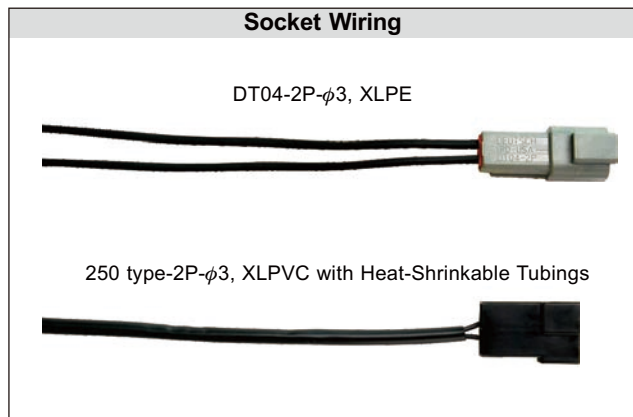
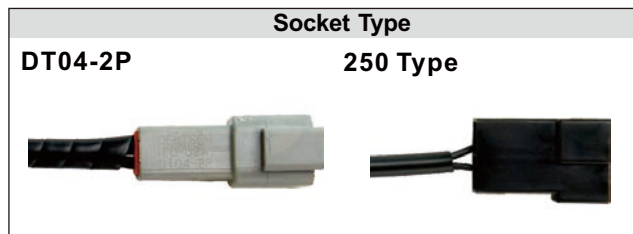
| Application |
|---|
| <ul style="list-style-type: none"> ■ Pressure Detection For Automobile Braking System ■ Pressure Control For Piping System ■ Hydraulic Detection For Fire Fighting System ■ Hydraulic Industry ■ Lubrication System ■ Sprinkler System ■ Air Compressor ■ Medical Equipment ■ Tire Manufacturing |

PRODUCT DIMENSION/ PRESSURE RANGE TOLERANCE



SQ34 Series Fixed Pressure

| Pressure range | Tolerance | Connection |
|----------------|------------|---------------|
| 0.2~0.9 bar | ± 0.05 Bar | M10X1 (taper) |
| | | M10X1 |
| | | M12X1.5 |
| 1~9.9 bar | ± 0.3 Bar | 1/8"PT |
| | | 1/4"PT |
| | | 1/8"G |
| 10~99 bar | ± 3 % | 1/4"G |
| | | 1/8"NPT |
| | | 1/4"NPT |



ORDER INFORMATION

SQX1 ⑤ ⑥ ⑦ ⑧ - ⑨ ⑩ ⑪ ⑫ ⑬ ⑭ ⑮ ⑯ ⑰ ⑱ ⑲ ⑳ ㉑ ㉒ ㉓ ㉔ ㉕ ㉖

⑤⑥ **Model**
 00: Standard
 05: High-Pressure
 34: High-Accuracy

⑦⑧ **Certification**
 00: None
 3A: UL

⑨ **Hex length**
 A: 24mm
 B: 27mm

⑩ **Contact model**
 A: SPST-NO
 B: SPST-NC
 C: SPDT

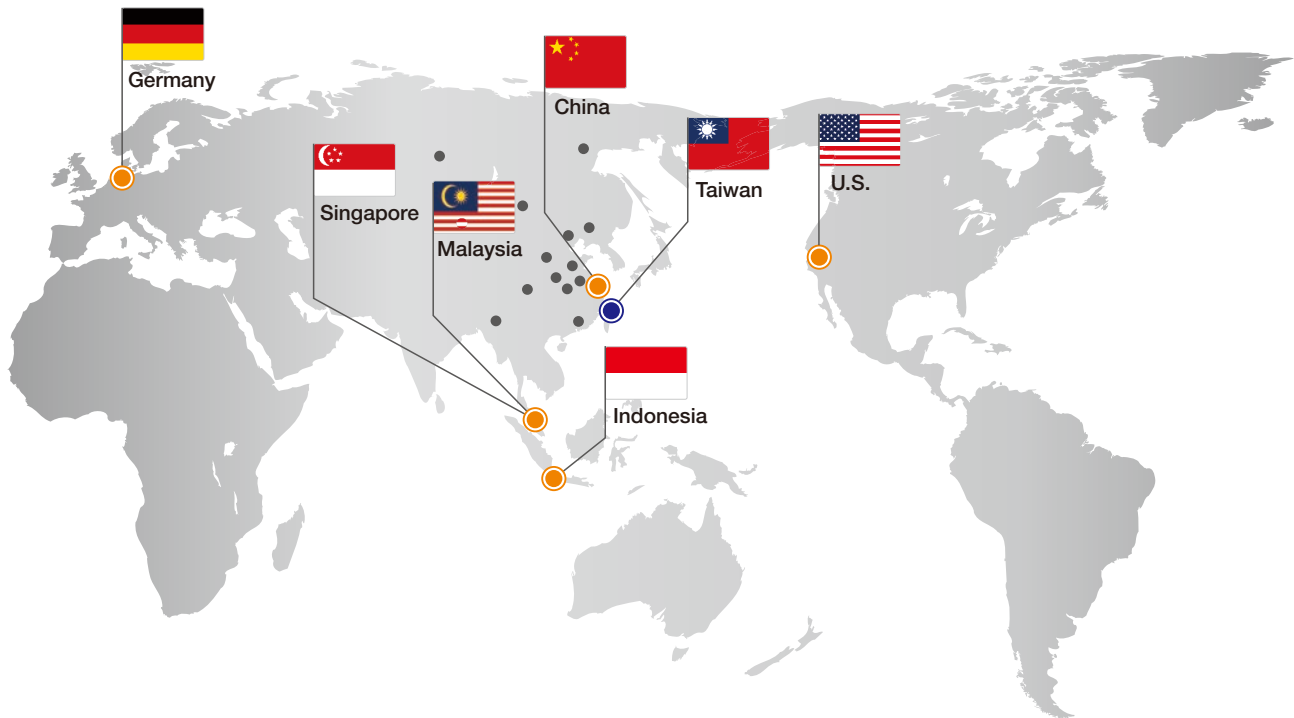
⑪⑫ **Connection**
 A1: 1/8"
 A2: 1/4"
 I1: M10
 I3: M12
 A5: 1/2"

⑬⑭ **Thread type**
 01: PT male
 07: NPT male
 17: PF(G) male
 78: (P)1 male
 82: (P)1.5 male
 90: (P)1(Taper) male

⑮ **Pressure regulation**
 A: Field adjustable
 B: Fixed

(Nextpage)

Global Network



■ Asia

● Taiwan

FineTek Co., Ltd. - Taipei Head Quarter

No.16, Tzuchiang St., Tucheng Industrial Park
New Taipei City 236, Taiwan
TEL: 886-2-2269-6789
FAX: 886-2-2268-6682
EMAIL: info@fine-tek.com

● China

Fine automation Co., Ltd. - Shanghai Factory

No.451 DuHui Rd, MinHang District, Shanghai,
China 201109
TEL: 86-21-6490-7260
EMAIL: info.sh@fine-tek.com

● Singapore

FineTek Pte Ltd. - Singapore Office

No. 60 Kaki Bukit Place, #07-06 Eunos
Techpark 2 Lobby B, Singapore 415979
TEL: 65-6452-6340
EMAIL: info.sg@fine-tek.com

● Indonesia

FineTek Co., Ltd. - Indonesia Office

Ruko Golden 8 Blok H No.38
Gading Serpong, Tangerang, Indonesia
TEL: 62 (021)-2923-1688
EMAIL: info.id@fine-tek.com

● Malaysia

FineTek Co., Ltd. - Malaysia Office

8-05, Plaza Azalea, Persiaran Bandaraya,
Seksyen 14, 40000 Shah Alam, Selangor, Malaysia
TEL: 603-5524-7168
EMAIL: info.my@fine-tek.com

■ North America

● California, U.S.

Aplus Finetek Sensor Inc. - US Office

355 S. Lemon Ave, Suite D, Walnut,
CA 91789
TEL: 1 909 598 2488
FAX: 1 909 598 3188
EMAIL: info@aplusfine.com

■ Europe

● Germany

FineTek GmbH - Germany Office

Bei den Kämpen 26
21220 Seevetal-Ramelsloh, Germany
TEL: +49-(0)4185-8083-12
FAX: +49-(0)4185-8083-80
EMAIL: info@fine-tek.de

● Mütec Instruments GmbH - Germany Office

Bei den Kämpen 26
21220 Seevetal-Ramelsloh, Germany
TEL: +49-(0)4185-8083-0
FAX: +49-(0)4185-8083-80
EMAIL: muetec@muetec.de



Distributor: