

Switches and Plugs: Receptacle Interlocked with Switch and Plug, DRCS and DPG Series



**Flameproof
Zone 1 & 2 – 22**

Application

The DRCS receptacle interlocked with switches and DPG plugs are used for power supply to portable electrical equipments or motors. They are designed for zone 1, 2 and zone 21, 22 hazardous areas.

Specification

Body, cover : Marine grade copper-free aluminium alloy with polyester powder coated, RAL 7032 (Grey)
Bolts : Stainless steel



Technical Data

Hazardous Area	Gas	Dust
Zones	1 & 2	22
Conforming to ATEX	II 2G	II 2D
Symbol of Protection ATEX	Ex db IIB Gb	Ex tc IIIC Dc
Symbol of Protection IEC		
T Rating	T5 (Ta 40 °C) T4 (Ta 55 °C)	NA
Surface Temp.	NA	T100°C (Ta 40 °C) T135°C (Ta 55 °C)
Standard	ATEX Directive 2014/34/EU, std. EN 60079-0:2012, EN 60079-1:2014, EN 60079-31:2014 IECEx Scheme, std. IEC 60079-0:2011, IEC 60079-1:2014, IEC 60079-31:2013	
Ambient Temperature	-20 °C to +55 °C	
Index of Protection	IP54	
Entries	Ø1/2" to Ø1-1/4" NPT	
Mounting	Wall type	

To reduce the risk of ignition, do not use receptacles and plugs in locations that contain electrically conductive dusts.



Switches and Plugs: Receptacle Interlocked with Switch and Plug, DRCS and DPG Series



A QUALITY PRODUCT

Flameproof
Zone 1 & 2 – 22

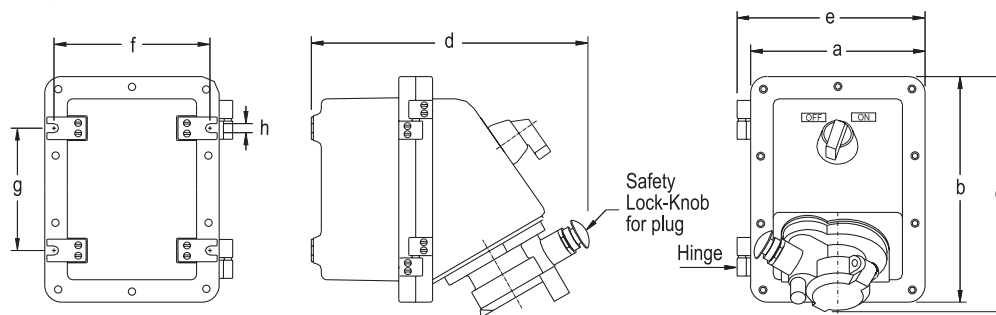
Catalogue Number and Dimension

Receptacle Interlocked with Switch

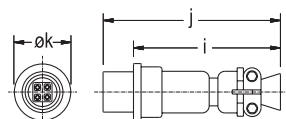
Plug

Phase/Wire/ Pole	Ampere Rating	Voltage	Entries (Top & Bottom)	Cat. No.	Volume (dm ³)	Approx. Weight (kgs.)	Cable Diameter	Cat. No.	Approx. Weight (kgs.)
	16A.	220V.AC.	Ø1/2" NPT Ø3/4" NPT	DRCS316 - 1 DRCS316 - 2	2.24	7.25	9 - 14 15 - 19	DPG316 - 14 DPG316 - 19	0.85
	20A.	220V.AC.	Ø3/4" NPT Ø1" NPT	DRCS320 - 2 DRCS320 - 3	2.24	7.25	15 - 19 20 - 22 23 - 24	DPG320 - 19 DPG320 - 22 DPG320 - 24	0.85
	32A.	220V.AC.	Ø3/4" NPT Ø1" NPT	DRCS332 - 2 DRCS332 - 3	2.24	7.25	15 - 19 20 - 22 23 - 24	DPG332 - 19 DPG332 - 22 DPG332 - 24	0.85
	63A.	220V.AC.	Ø1" NPT Ø1-1/4" NPT	DRCS363 - 3 DRCS363 - 4	2.24	12.65	20 - 22 23 - 24 25 - 27 28 - 30	DPG363 - 22 DPG363 - 24 DPG363 - 27 DPG363 - 30	0.85
	16A.	380V.AC.	Ø3/4" NPT Ø1" NPT	DRCS416 - 2 DRCS416 - 3	2.24	7.25	15 - 19 20 - 22 23 - 24	DPG416 - 19 DPG416 - 22 DPG416 - 24	0.85
	20A.	380V.AC.	Ø3/4" NPT Ø1" NPT	DRCS420 - 2 DRCS420 - 3	2.24	7.25	15 - 19 20 - 22 23 - 24	DPG420 - 19 DPG420 - 22 DPG420 - 24	0.85
	32A.	380V.AC.	Ø3/4" NPT Ø1" NPT	DRCS432 - 2 DRCS432 - 3	2.24	7.25	15 - 19 20 - 22 23 - 24	DPG432 - 19 DPG432 - 22 DPG432 - 24	0.85
	63A.	380V.AC.	Ø1-1/4" NPT Ø1-1/2" NPT	DRCS463 - 4 DRCS463 - 5	2.24	7.25	25 - 27 28 - 30 31 - 33 34 - 36 37 - 39 40	DPG463 - 27 DPG463 - 30 DPG463 - 33 DPG463 - 36 DPG463 - 39 DPG463 - 40	0.85
	16A.	380/220V.AC.	Ø3/4" NPT Ø1" NPT	DRCS516 - 2 DRCS516 - 3	5.82	8.15	15 - 19 20 - 22 23 - 24	DPG516 - 19 DPG516 - 22 DPG516 - 24	0.85
	20A.	380/220V.AC.	Ø3/4" NPT Ø1" NPT	DRCS520 - 2 DRCS520 - 3	5.82	8.15	15 - 19 20 - 22 23 - 24	DPG520 - 19 DPG520 - 22 DPG520 - 24	0.85
	32A.	380/220V.AC.	Ø3/4" NPT Ø1" NPT	DRCS532 - 2 DRCS532 - 3	5.82	8.15	15 - 19 20 - 22 23 - 24	DPG532 - 19 DPG532 - 22 DPG532 - 24	0.85
	63A.	380/220V.AC.	Ø1-1/4" NPT Ø1-1/2" NPT	DRCS563 - 4 DRCS563 - 5	5.82	12.65	25 - 27 28 - 30 31 - 33 34 - 36 37 - 39 40	DPG563 - 27 DPG563 - 30 DPG563 - 33 DPG563 - 36 DPG563 - 39 DPG563 - 40	0.85

Receptacle Interlocked with Switch



Plug



Ampere Rating	Dimension in mm.										
	a	b	c	d	e	f	g	h	i	j	Øk
16A.	176	234	252	252	195	125	100	7.5	150	190	67
20A.	176	234	252	252	195	125	100	7.5	150	190	67
32A.	176	234	252	252	195	125	100	7.5	150	190	67
63A.	205	310	320	313	224	193	160	12	157	197	67