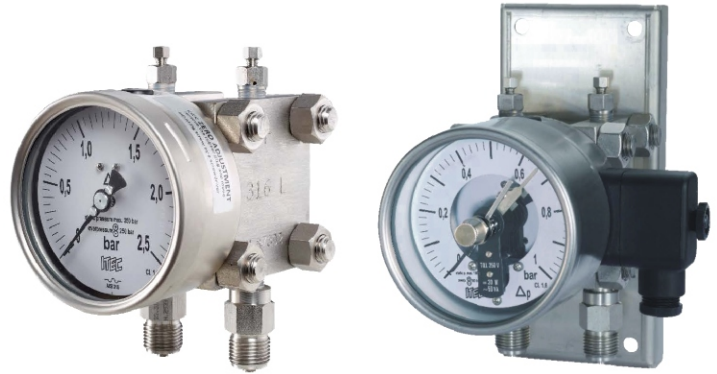


## FEATURES

- Single side static sustainable
- Static pressure 400 bar max.
- External Zero adjustment
- Electric contact version
- Dry / liquid filled
- ATEX certified


**VẬT TƯ CÔNG NGHIỆP SỐ 1 VIỆT NAM**
**Double Diaphragm  
(Old Model code : DP 800 & DP 800 CE)**


## APPLICATION

- Liquid & gaseous media
- Corrosive environments
- Oil & Gas applications
- Chemical & Petrochemical
- Level measurement in closed tank
- Filter monitoring

### STANDARD PARAMETERS

Accuracy <sup>1</sup>	: CL 1.6 (AISI 316L SS / Hastelloy C276) : CL 2.5 (Monel 400)
Ambient temperature	: -40...+60°C (without dampening liquid) : -20...+60°C (with dampening liquid)
Service temperature	: 100°C max.
Static pressure limits (on either side)	: 40 bar / 100 bar / 250 bar / 400 bar
Over-pressure safety	: 400 bar for ranges 0...0.4 bar up to 0...40 bar
Zero shift	: Max. $\pm$ 2% at 20°C and max. static pressure

### MATERIAL OF CONSTRUCTION

Sensing element	: Double diaphragm, Internal stop without o-ring : $\leq$ 16 bar - AISI 316L SS, $>$ 16 bar Inconel 718
Case & Ring material	: AISI 316 SS (Bayonet type)
Diaphragm	: AISI 316L SS
Chamber	: AISI 316L SS
Fastener	: AISI 304 SS ( PN 100 bar max.) : Alloy steel zinc flake coated, RoHS complaint (PN 250 bar and PN 400 bar)
Movement mechanism	: Stainless Steel with ball bearing
Transmission chamber dampening liquid	: Silicon oil
Chamber sealing gaskets	: Viton
Dial	: Aluminum, black graduation on white background
Pointer	: Micro-zero adjustable, aluminum, black powder coated
Gaskets & filling plug	: NBR
Window	: Shatterproof Safety Glass, 4mm thickness
Purging plugs	: 2 x 1/4" NPT (M), AISI 316L SS

### STANDARD SPECIFICATIONS

Dial size	: DN100 / DN160
Range	: 0...60 mbar (gauge body DN 140) : 0...100 to 0... 250 mbar (gauge body DN 100) : 0...0.4 to 0...40 bar (gauge body DN 88)
Mounting pattern	: Direct, Bottom connection
Process connection	: 1/4" NPT (F) x 2 Nos.
Ingress protection	: IP 65 - EN 60529 / IEC 529
Execution	: Dry

### TEMPERATURE EFFECT

When temperature of the measuring system deviates from reference temperature (+20°C) max error  $\pm$ 0.6% / 10K of true scale

### NOTES

1. At 20°C and Zero static pressure.


**VẬT TƯ CÔNG NGHIỆP SỐ 1 VIỆT NAM**

## REFERENCE


**EN 837-3**

II 2 GD c

### STANDARD SPECIFICATIONS : DAMPENING LIQUID FILLED, GLYCERIN OR SILICON OIL

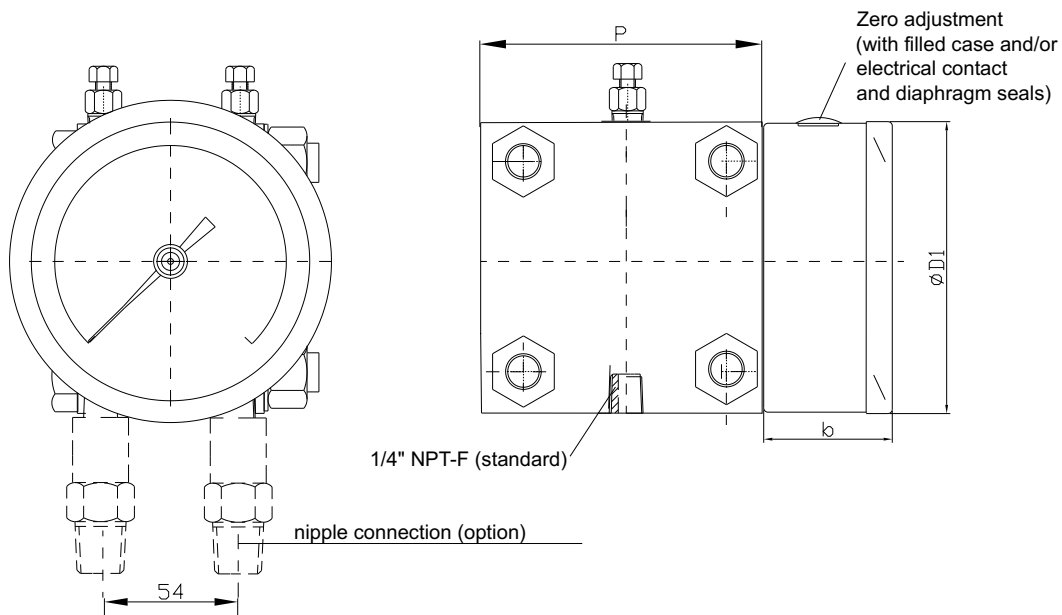
Accuracy	:	CL 2.5
Window	:	Shatterproof safety glass
Dampening liquid	:	Glycerin 99.7% / Silicon oil 47V50



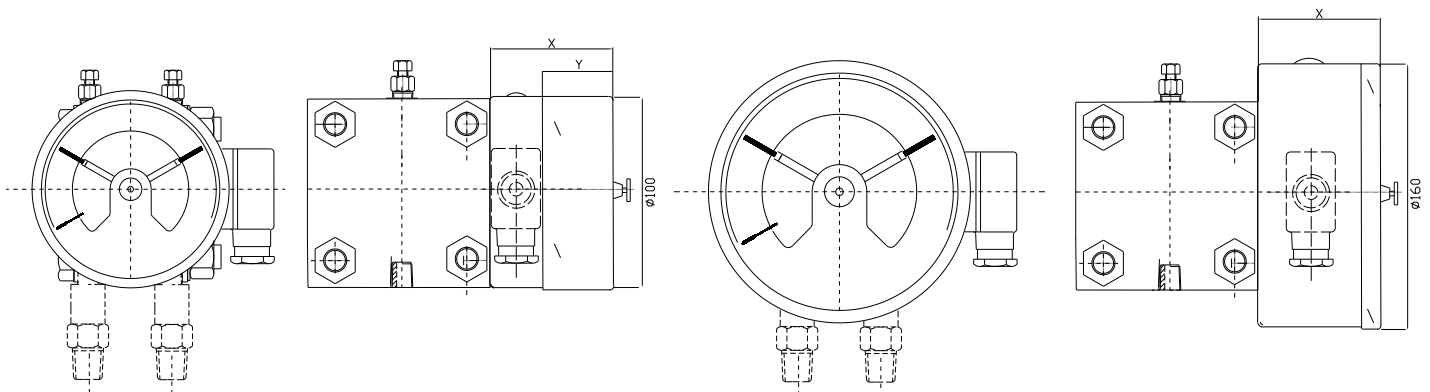
VẬT TƯ CÔNG NGHIỆP SỐ 1 VIỆT NAM

### DIMENSIONAL DRAWING

Type B0



DN	Range mbar	P□ (PN40/100)	P□ (PN250)	P□ (PN400)	b	D1
100	≤160	140	-	-	51	100
100	250	100	100	-	51	100
100	≥400	88	88	100	51	100
160	≤160	140	-	-	51	160
160	250	100	100	-	51	160
160	≥400	88	88	100	51	160

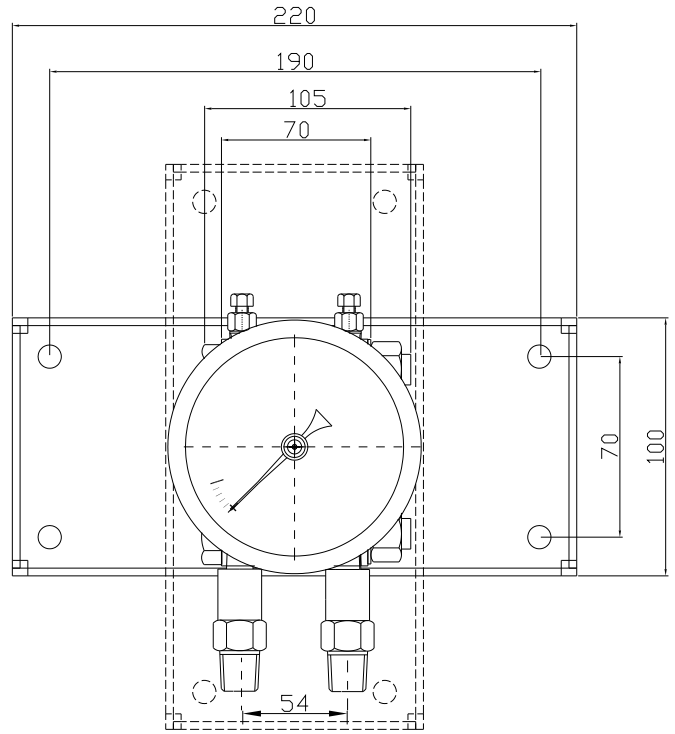
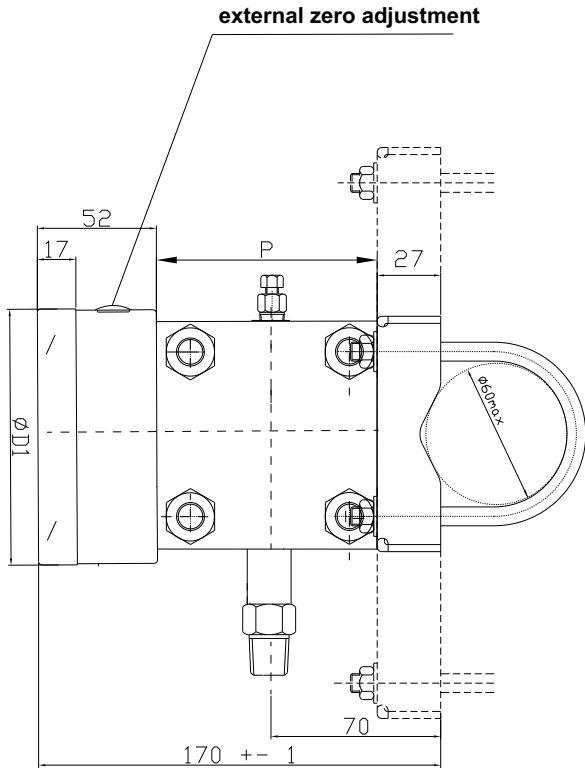


DN	Type of contact	X	Y
100	Single or double contact / SPDT	100	60
160	DPDT	110	-
160	Single or double contact / SPDT	102	-

All dimensions are in mm.

DIMENSIONAL DRAWING

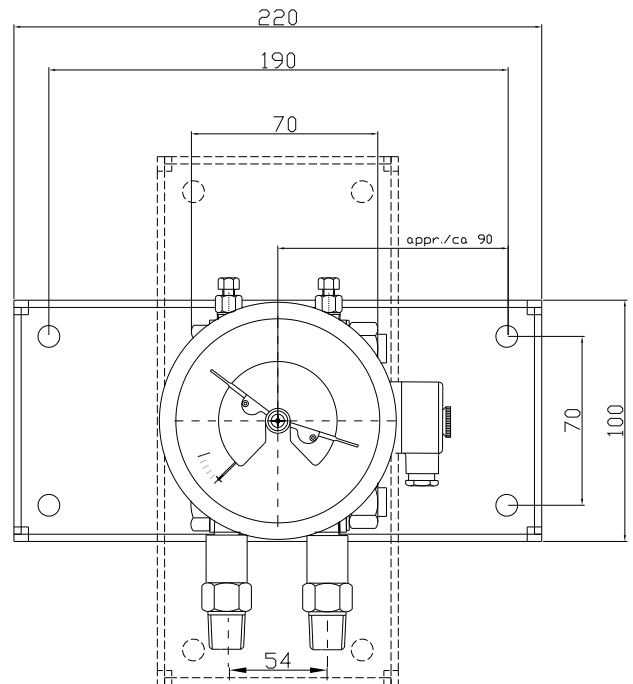
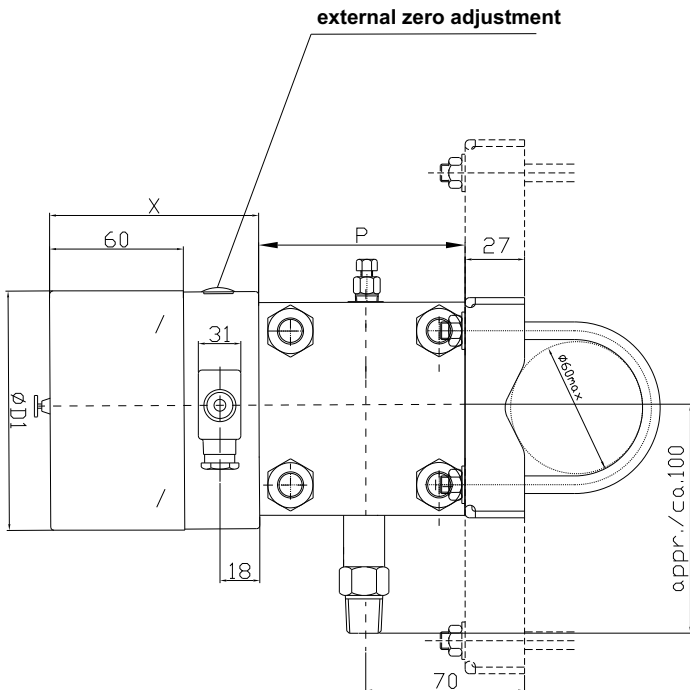
Type B2



Type B2  
With Electric Contact



VẬT TƯ CÔNG NGHIỆP SỐ 1 VIỆT NAM



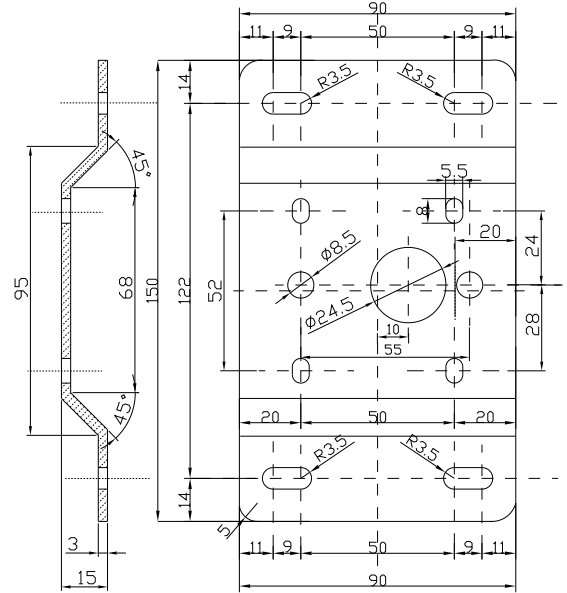
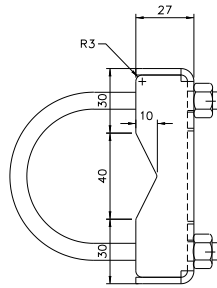
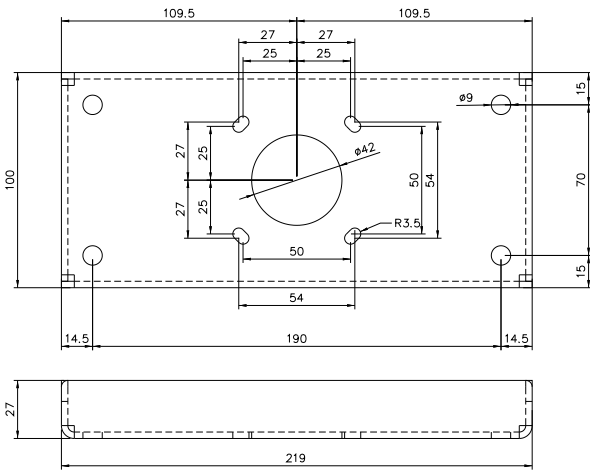
All dimensions are in mm.

DIMENSIONAL DRAWING



2" pipe bracket

Back flange surface mounting

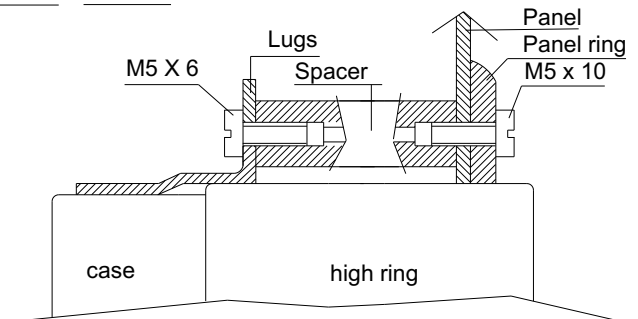
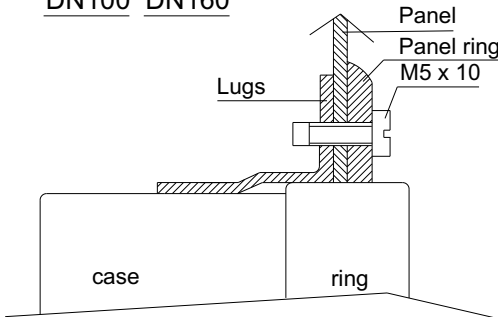


Panel Mounting (\*)

Panel Mounting with electrical contacts (\*)

DN100 DN160

DN100 DN160

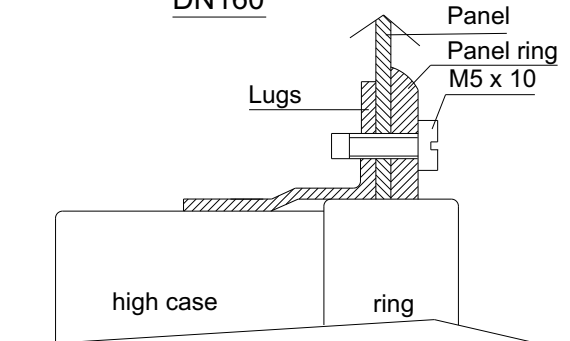


The assembly consist of:  
Panel ring  
4 screws M5

The assembly consist of:  
Panel ring  
4 spacers  
8 screws M5

(\*) Panel Cut-out : 105 mm for DN100 & 165 mm for DN160

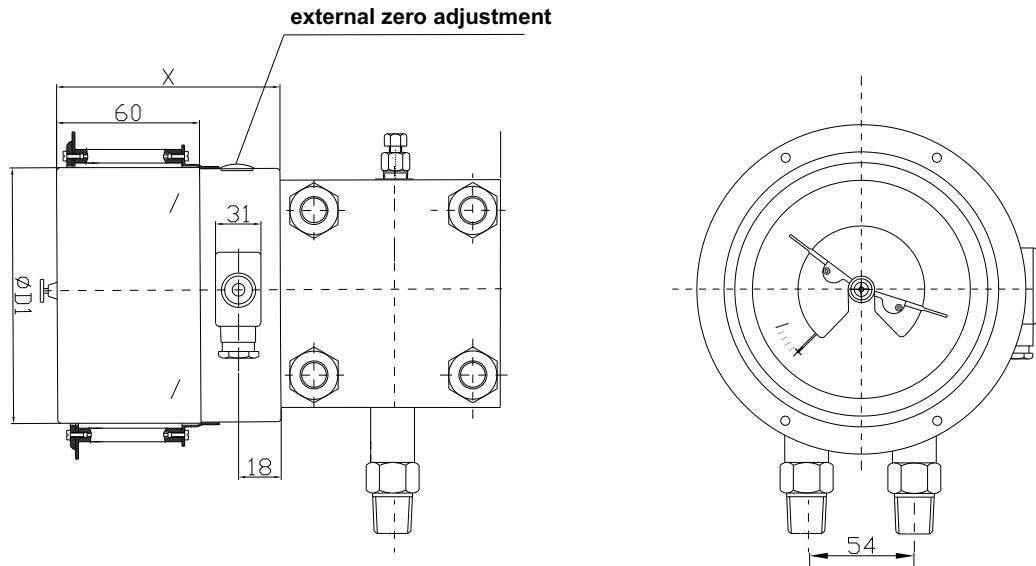
DN160



The assembly consist of:  
Panel ring  
4 screws M5

DIMENSIONAL DRAWING

Type B3



All dimensions are in mm.



STANDARD SPECIFICATIONS : ELECTRIC CONTACT VERSION

Accuracy	:	CL 2.5
Window	:	Shatterproof Safety Glass, 4mm thickness
Switch	:	1NO; Make contact
Dampening liquid	:	Dielectric oil (Optional)

ELECTRIC CONTACT DETAILS

Switch type	Contacts	Action	Rating	Code
Normally closed (1NC)	Single	Break contact	230VAC/1A; 48VDC/0.5A	CD1
Normally open (1NO)	Single	Make contact	230VAC/1A; 48VDC/0.5A	CD2
Normally closed (2NC)	Double	Break contact	230VAC/1A; 48VDC/0.5A	CD3
Normally open (2NO)	Double	Make contact	230VAC/1A; 48VDC/0.5A	CD4
Normally closed + Normally open (1NC+1NO)	Double	Break contact + Make contact	230VAC/1A; 48VDC/0.5A	CD5
Normally open + Normally closed (1NO+1NC)	Double	Make contact + Brake contact	230VAC/1A; 48VDC/0.5A	CD6
SPDT	Single		230VAC/1A; 48VDC/0.5A	CD7
DPDT	Double		230VAC/1A; 48VDC/0.5A	CD8
Normally closed (1NC)	Single	Break contact	220VAC/0.4A	C11
Normally open (1NO)	Single	Make contact	220VAC/0.4A	C12
Normally closed (2NC)	Double	Break contact	220VAC/0.4A	C13
Normally open (2NO)	Double	Make contact	220VAC/0.4A	C14
Normally closed + Normally open (1NC+1NO)	Double	Break contact + Make contact	220VAC/0.4A	C15
Normally open + Normally closed (1NO+1NC)	Double	Make contact + Brake contact	220VAC/0.4A	C16

NOTES

- Codes starts with "CD" denomination are magnetic contacts and "CI" are Inductive contacts.
- Inductive contacts are ATEX approved.

ORDERING CODES

1. DIAL SIZE

- 04 100 mm / 4"
- 06 160 mm / 6"

04

2. RANGE

- XXX Refer "Range Table"

XXX

3. MOUNTING PATTERN

- B0 Direct, Bottom connection
- B1 Wall/Surface/Projection mounting, Bottom connection
- B2 2" Pipe/Yoke mounting, Bottom connection
- B3 Panel/Front flange mounting, Bottom Connection

B0

4. PROCESS CONNECTION

- 02N 1/4" NPT (F) x 2 Nos.
- 13B 3/8" BSP (M) x 2 Nos.
- 14B 1/2" BSP (M) x 2 Nos.
- 14M M20 X 1.5 mm (M) x 2 Nos.
- 14N 1/2" NPT (M) x 2 Nos.

02N

\* Male threads through adaptors

5. INGRESS PROTECTION

- ER IP 65

ER

6. EXECUTION

- EA Dry
- EB Dry but fillable
- EF Dry but fillable, dielectric oil<sup>2</sup>
- EK Dampening liquid, dielectric oil<sup>2</sup>

EA

7. STATIC PRESSURE

- 040 40 bar
- 100 100 bar
- 250 250 bar
- 400 400 bar

040

8. SWITCH CATEGORY

- RS Precision contacts (magnetic)
- RT ATEX / CE approved contacts (inductive)

XX

9. ELECTRIC CONTACT

- CD1 Break contact (1NC)
- CD2 Make contact (1NO)
- CD3 2 x Break contact (2NC)
- CD4 2 x Make contact (2NO)
- CD5 1 Break + 1 Make (1NC+1NO)
- CD6 1 Make + 1 Break (1NO+1NC)
- CD7 SPDT
- CD8 DPDT
- CI1 Break contact (1NC)
- CI2 Make contact (1NO)
- CI3 2 x Break contact (2NC)
- CI4 2 x Make contact (2NO)
- CI5 1 Break + 1 Make (1NC+1NO)
- CI6 1 Make + 1 Break (1NO+1NC)
- CI9 Booster relay for current up to 5A

XX

10. OTHER OPTIONS

- DM Monel diaphragm
- DO Hastelloy C-276 diaphragm
- GW Maximum reading pointer
- GZ External zero adjustment (Standard for filled versions)
- NM Monel chambers
- NO Hastelloy C-276 chambers
- OF Food grade oil filled chamber
- TA 5 - point calibration certificate
- TC Material test certificate 3.1
- TM Material test certificate 2.2
- TN Tested to NACE standards
- TO Certificate of Oxygen service
- TX ATEX certificate
- XF SS tag plate
- XR Custom designed dial
- XT Dial tag marking

XX

Ordering Example : P301-04-XXX-B0-02N-ER-EA-040

COMPATIBLE ACCESSORIES

- Diaphragm seal
- 5 Valve Manifolds
- 3 Valve manifolds

NOTES

1. For other connections, please contact factory.
2. Rubber parts shall be in Viton.