

# Signal and Alarm: Obstacle Light, EOB Series



## Flameproof Zone 1 & 2 - 21 & 22

### Application

The EOB obstacle lights are designed for aviation warning purpose. They are suitable for installation on towers or tall buildings in zone 1, 2 and zone 21, 22 hazardous areas.

### Specification

- Body material : Marine grade copper-free aluminium alloy with polyester powder coated, RAL 7032 (grey)
- Globe : Borosilicate glass
- Filter : Plastic
- Guard, bolts : Stainless steel
- Seal gasket : Silicone -40 °C to +175 °C

### Technical Data

Hazardous Area	Gas	Dust
Zones	<b>1 &amp; 2</b>	<b>21 &amp; 22</b>
Conforming to ATEX	<b>II 2G</b>	<b>II 2D</b>
Symbol of Protection ATEX	<b>Ex db IIB Gb</b>	<b>Ex tb IIIC Db</b>
Symbol of Protection IEC		
T Rating	T6 (Ta 40 °C ) T5 (Ta 55 °C )	NA
Surface Temp.	NA	T80°C (Ta 40 °C ) T100°C (Ta 55 °C )
Standard	ATEX Directive 2014/34/EU, std. EN 60079-0:2012, EN 60079-1:2014, EN 60079-31:2014 IECEx Scheme, std. IEC 60079-0:2011, IEC 60079-1:2014, IEC 60079-31:2013	
Ambient Temperature	-20 °C to +55 °C	
Index of Protection	IP66	
Entries	Ø3/4" NPT	
Mounting	Ceiling, Pendant or Bracket type	



Ceiling mounting

Pendant mounting



Bracket mounting

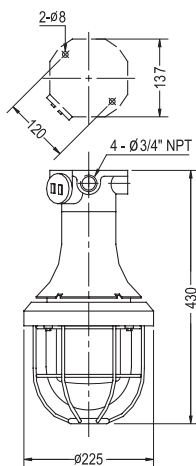
### Catalogue Number and Dimension

Cat. No.	Wattage	Voltage	Volume (dm <sup>3</sup> )	Approx. Weight (kgs.)
<b>Incandescent</b>				
<b>EOB-60IN</b> □◇	60W.	220V.AC. 50Hz.	3.92	7.95
<b>EOB-100IN</b> □◇	100W.			
<b>Compact Fluorescent</b>				
<b>EOB-11CF</b> □◇	11W.	220V.AC. 50Hz.	3.92	7.89
<b>EOB-15CF</b> □◇	15W.			
<b>LED</b>				
<b>EOB-07LED</b> □◇	7W.	220V.AC. 50Hz.	3.92	7.75
<b>EOB-10LED</b> □◇	10W.			
<b>EOB-13LED</b> □◇	13W.			

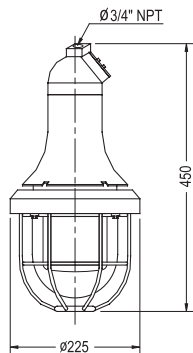
Adding suffix to Cat. No.

□ lens colour; **R** - Red, **O** - Orange, **B** - Blue

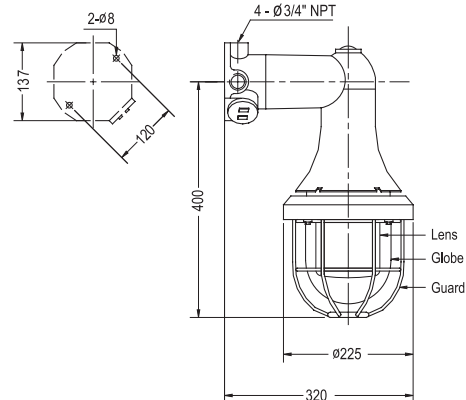
◇ mounting type of fixtures; **C** - Ceiling, **P** - Pendant, **B** - Bracket



Ceiling mounting



Pendant mounting



Bracket mounting