



# Mini By-Pass Level Transmitter

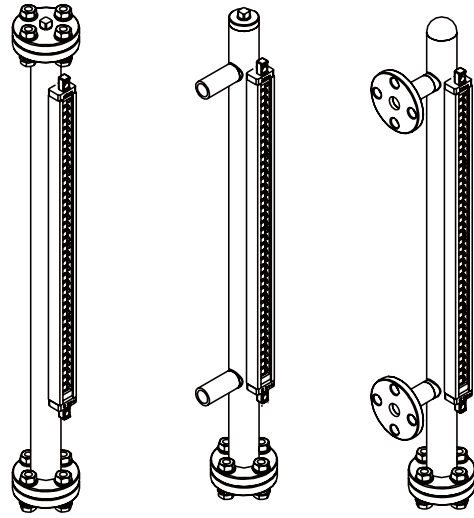


# MINI BY-PASS level indicator

## FEATURES

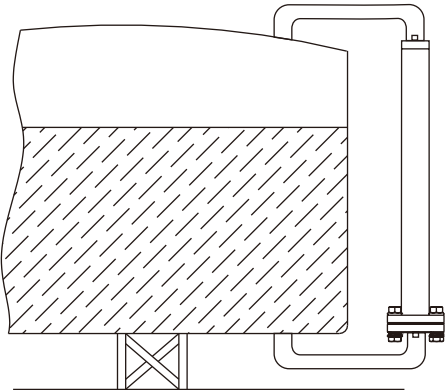
- ★ Visible level changes are shown by the flag display
- ★ Uses engineering plastics(not glass) for safety
- ★ Compact and easy to install.
- ★ Optional magnetic switches for high/ low level alarm output.
- ★ Optional level transducer for 4-20mA signal output.

Applicable in both hazardous or sanitary environments. Suitable for oil tanks, water tanks, steam boilers, food machines, medical equipment and other.

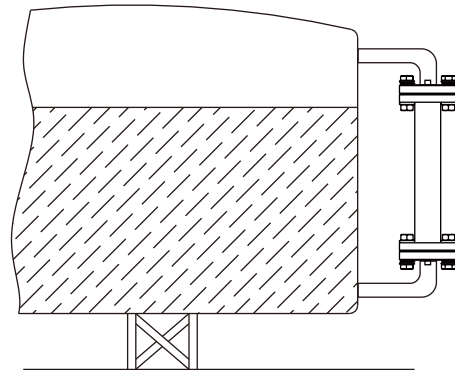


## INSTALLATION EXAMPLE

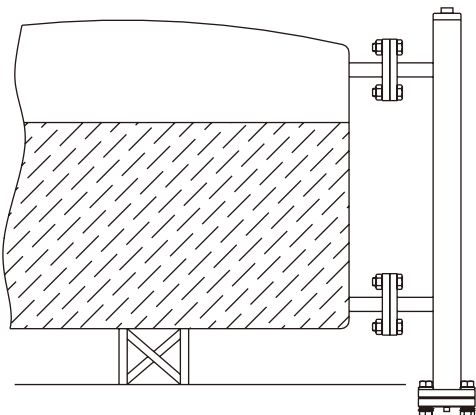
MEF□□□ B5H



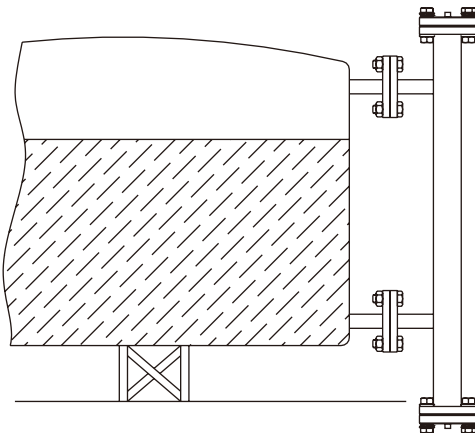
MEF□□□ C5H



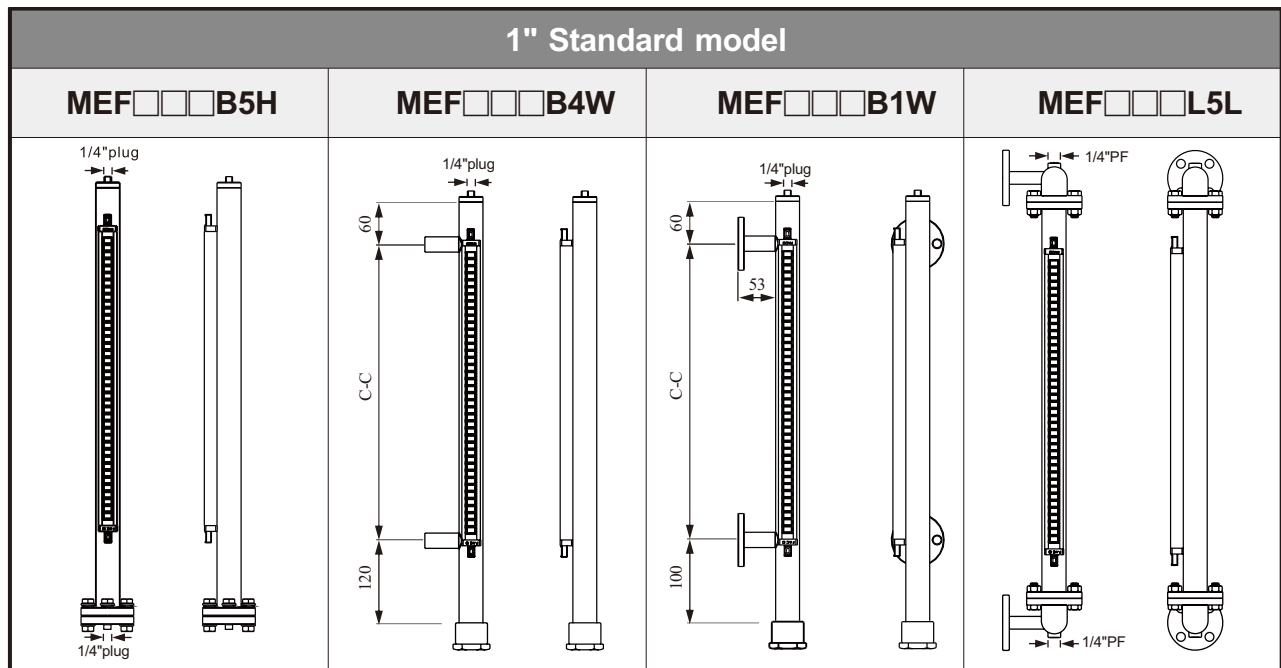
MEF□□□ B1H



MEF□□□ C1H



## 1" Standard model

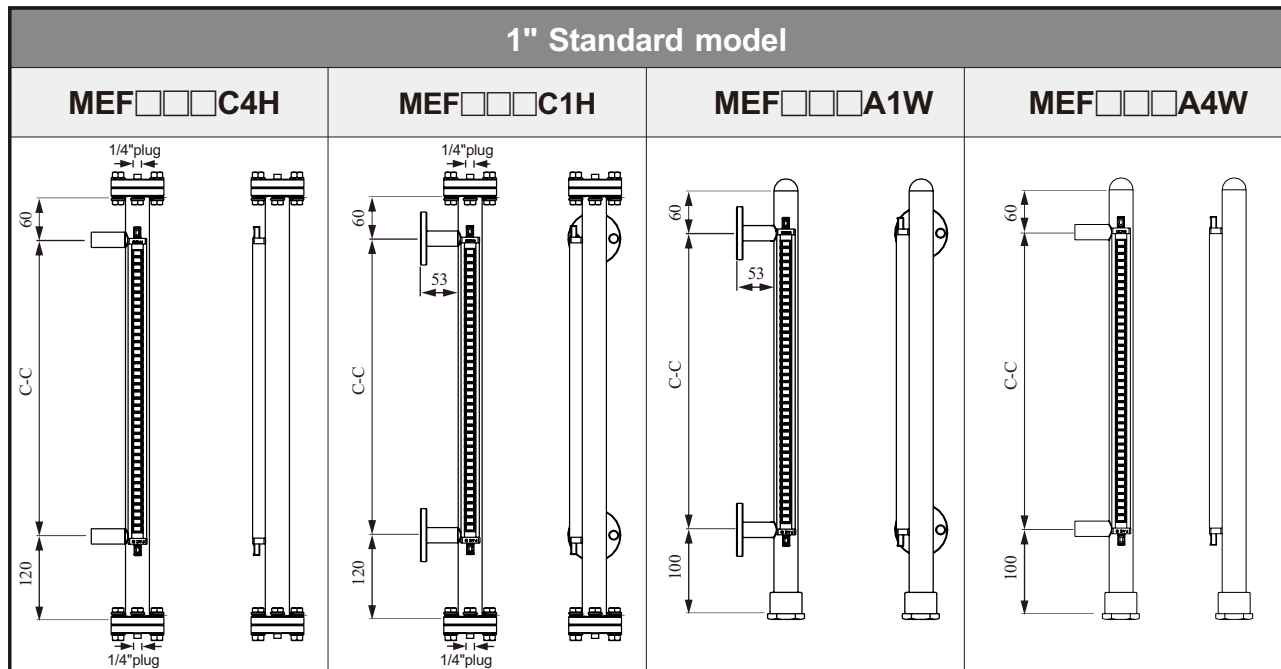


## SPECIFICATIONS

Order No.	MEF□□□B5H	MEF□□□B4W	MEF□□□B1W	MEF□□□L5L
<b>Description</b>				
<b>Top end</b>	Flat Top+1/4"PT Plug	Flat Top+1/4"PT Plug	Flat Top+1/4"PT Plug	Dual Flange+ angle pipe
<b>Bottom end</b>	Dual Flange+ 1/4"PT Plug	Removable nut plug	Removable nut plug	Dual flange +angle pipe
<b>Connecting</b>	—————	Slip Pipe	3/8" x5kg/cm <sup>2</sup> (Flange)	3/8" x5kg/cm <sup>2</sup> (Flange)
<b>C-C distance</b>	Min. 150mm; Max. 3000mm			
<b>Operation pressure</b>	10kg/cm <sup>2</sup>			
<b>Operation temp.</b>	140°C (max.200°C)			
<b>Chamber</b>	φ34 x 2t, SUS304 / SUS316L			
<b>Float type</b>	EFB-2420, S.G.0.75			
<b>Material</b>	SUS304 / SUS316L			
<b>Flag indicator</b>	EFB-0750			
<b>Ruler</b>	PM Sticker (max.100°C)			

C-C Connecting tube: 1/2"

## 1" Standard model



### SPECIFICATIONS

Order No.	MEF□□□C4H	MEF□□□C1H	MEF□□□A1W	MEF□□□A4W
<b>Description</b>				
<b>Top end</b>	Dual Flange+ 1/4"PT Plug	Dual Flange+ 1/4"PT Plug	Cap	Cap
<b>Bottom end</b>	Dual Flange+ 1/4"PT Plug	Dual Flange+ 1/4"PT Plug	Removable nut plug	Removable nut plug
<b>Connecting</b>	Slip Pipe	3/8" x5kg/cm <sup>2</sup> (Flange)	3/8" x5kg/cm <sup>2</sup> (Flange)	Slip Pipe
<b>C-C distance</b>	Min. 150mm; Max. 3000mm			
<b>Operation pressure</b>	10kg/cm <sup>2</sup>			
<b>Operation temp.</b>	140°C (max.200°C)			
<b>Chamber</b>	φ34 x 2t, SUS304 / SUS316L			
<b>Float type</b>	EFB-2420, S.G.0.75			
<b>Material</b>	SUS304 / SUS316L			
<b>Flag indicator</b>	EFB-0750			
<b>Ruler</b>	PM Sticker (max.100°C)			

C-C Connecting tube: 1/2"

# MODEL NUMBER/ORDER CODE COMPARISON TABLE

## Standard Model

Model Number	Order Code
MEF□□□B5H	EFM2□□00-B5C
MEF□□□B4W	EFM2□□00-B4Q
MEF□□□B1W	EFM2□□00-B1Q
MEF□□□L5L	EFM2□□00-N5N
MEF□□□C4H	EFM2□□00-C4C
MEF□□□C1H	EFM2□□00-C1C
MEF□□□A1W	EFM2□□00-A1Q
MEF□□□A4W	EFM2□□00-A4Q
MEF□□□B1H	EFM2□□00-B1C
MEF□□□C5H	EFM2□□00-C5C

## Flag Display

Model Number	Order Code
EFB-0750	EFXAM1D

## Ruler

Model Number	Order Code
EFA-2150	EFMAM1P-00R00

## Reed Switch

Model Number	Order Code
EFB-1400	EFXAM1P-18S44
EFB-1410	EFXAM1P-18S45
EFB-1420	EFXAM1P-18S41
EFB-1430	EFXAM1P-18S42
EFB-1440	EFXAM1P-18S44
EFB-1450	EFXAM1P-18S44

## Continuous Level Transmitter

Model Number	Order Code
EFB-3920	FGX10000-A6G000000C□□2B0000B00

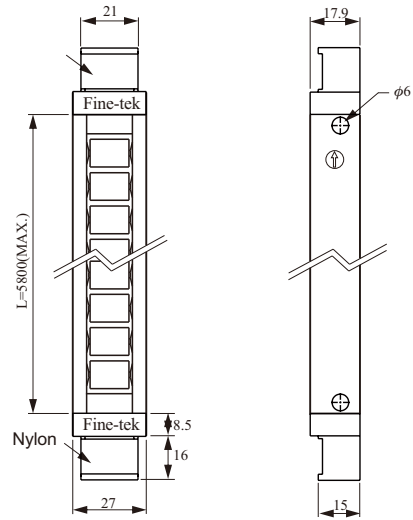
## Metal Float

Model Number	Order Code
EFB-2420	FLTAM1F-1□□28105

# FLAG DISPLAY

## MODEL: EFB-0750

Housing material	SUS 304
Flag material	Engineering plastic
Flag color	Red / White; Green / White
Cover material	Engineering plastics
Operation temp.	-20~140°C
Standard unit	50mm

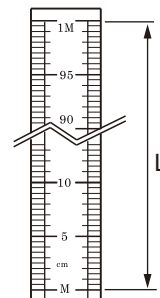


## RULER

MODEL: EFA-2150 (unit: cm)  
 MODEL: EFA-2160 (unit: inch)

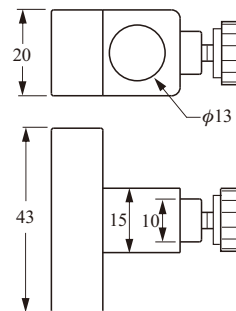
Material	PM Sticker
Operation temp.	-20~100°C

EFA-2150

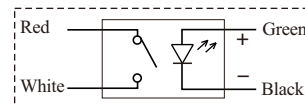


## MODEL: EFB-14□□ [ ADJUSTABLE TYPE ]

Contact element	Reed Switch
Switch form	EFB-1400, SPST NO Hold type
	EFB-1410, SPST NO Normal type
	EFB-1420, SPDT Hold type
	EFB-1430, SPDT Normal type
	EFB-1440, SPST NO Hold type (side lead wire )
	EFB-1450, SPST NO Hold type (LED display)
Contact capacity	1A /30W / 200Vdc / 240Vac
LED power	24 Vdc ±20%(for EFB-1450)
Housing material	PP
Operation temp.	-20~140°C
Protection	IP67
Cable length	2M (PVC Cable)
Contact wire color code	Red: COM, While: NO (EFB-1400 /1410 /1440 / 1450)
	Black: COM, Red: NC, White: NO (EFB-1420 / 1430)



EFB-1450 Wring

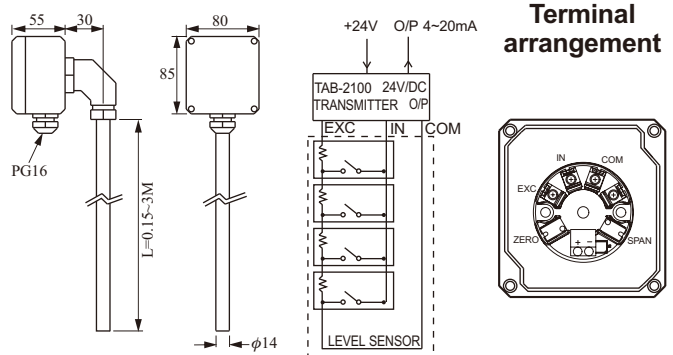


# FLOAT/ CONTINUOUS LEVEL TRANSMITTER

## CONTINUOUS LEVEL TRANSMITTER

MODEL: EFB-3920

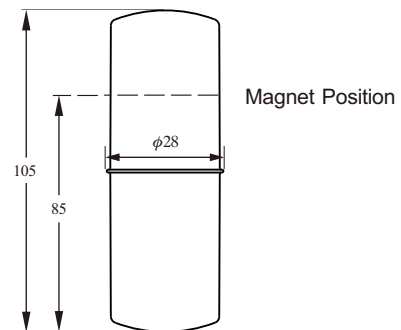
Housing material	PC(IP65) 85(W)x80(H)x55(D)
Tube material	$\phi$ 14mm, SUS 304 or SUS 316
Resolution	$\pm$ 6.35mm
Output	4~20mA two-wire
Power	12~32Vdc
Measuring range	0.15~3M
Ambient temp.	-10~80°C
Accuracy	$\pm$ 0.1%



## METAL FLOAT


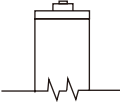
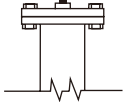
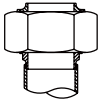
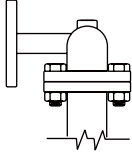
MODEL: EFB-2420

Operating temp.	150°C
Operating pressure	10kg/cm <sup>2</sup>
Specific gravity	0.75(S.G.)
Floation line	85 mm
Material	SUS316
Dimension	$\phi$ 28x105

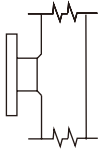
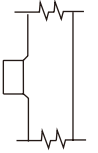
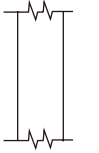


# ORDER INFORMATION

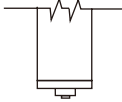
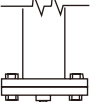
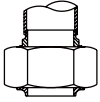
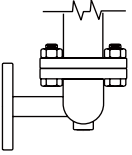
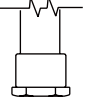
## TOP END MODEL

A	Cap	B	Flat top+plug	C	Dual flange +plug	S	Welding union	N	Dual flange +angle pipe
									

## CONNECTION

1	Flange	4	Slip pipe	5	N/A
					

## BOTTOM END MODEL

B	Flat top+plug	C	Dual flange +plug	S	Welding union	N	Dual flange +angle pipe	Q	Removable nut plug
									



# ORDER INFORMATION

05 06 07 08 - 09 10 11 12 13 14 15 16 17 18 19 20 21 22 23 24 25 26 27 28 29 30 31 32 33 34

**EFM2**

**05 06 Type**

- 00: Standard type
- 02: High temp. type

**07 08 Certificate**

- 00: None
- B0: DNV      E0: BV
- C0: ABS      F0: LR
- D0: GL      G0: CR

**09 Top end model**

- A: Cap
- B: Flat top+plug
- C: Dual flange+plug
- S: Welding union
- N: Dual flange+angle pipe

**10 Connection(C-C)**

- 1: Flange
- 4: Slip pipe
- 5: N/A

**11 Bottom end model**

- B: Flat top+plug
- C: Dual flange+plug
- S: Welding union
- N: Dual flange+angle pipe
- Q: Removable nut plug

**Connection specification(C-C)**

**12 13**

- 00: None
- Flange item
- AK: JIS-FF
- AN: ANSI-RF
- AS: DIN-FF
- Thread item
- AA: JIS
- AB: ISO
- AC: ANSI

**14 15**

- 00: None
- A5: 1/2"
- A7: 3/4"
- A8: 1"
- B1: 1-1/2"
- B2: 2"
- B4: 2-1/2"

- D6: DN15
- D7: DN20
- D8: DN25
- E1: DN40
- E2: DN50
- E3: DN65

**16 17**

- 00: None
- 01: PT male
- 03: PF male
- 06: BSP male
- 07: NPT male
- 40: 5kg/cm<sup>2</sup>
- 42: 10kg/cm<sup>2</sup>
- 48: 150Lbs
- 49: 300Lbs
- 57: PN 10
- 58: PN 16

(Next page)



⑤ ⑥ ⑦ ⑧ ⑨ ⑩ ⑪ ⑫ ⑬ ⑭ ⑮ ⑯ ⑰ ⑱ ⑲ ⑳ ㉑ ㉒ ㉓ ㉔ ㉕ ㉖ ㉗ ㉘ ㉙ ㉚ ㉛ ㉜ ㉝ ㉞

**EFM2**  -

**⑱ ⑲ Connection specification (Top)** \_\_\_\_\_

- |            |          |
|------------|----------|
| 00: None   | D6: DN15 |
| A5: 1/2"   | D7: DN20 |
| A7: 3/4"   | D8: DN25 |
| A8: 1"     | E1: DN40 |
| B1: 1-1/2" | E2: DN50 |
| B2: 2"     | E3: DN65 |
| B4: 2-1/2" |          |

**㉑ ㉒ Connection type (Top)** \_\_\_\_\_

- |                          |              |
|--------------------------|--------------|
| 00: None                 |              |
| Flange item              | Thread item  |
| 40: 5kg/cm <sup>2</sup>  | 01: PT male  |
| 42: 10kg/cm <sup>2</sup> | 03: PF male  |
| 48: 150Lbs               | 06: BSP male |
| 49: 300Lbs               | 07: NPT male |
| 57: PN 10                |              |
| 58: PN 16                |              |

**㉓ ㉔ Connection specification (bottom)** \_\_\_\_\_

- |            |          |
|------------|----------|
| 00: None   | D6: DN15 |
| A5: 1/2"   | D7: DN20 |
| A7: 3/4"   | D8: DN25 |
| A8: 1"     | E1: DN40 |
| B1: 1-1/2" | E2: DN50 |
| B2: 2"     | E3: DN65 |
| B4: 2-1/2" |          |

**㉕ ㉖ Connection type (bottom)** \_\_\_\_\_

- |                          |              |
|--------------------------|--------------|
| Flange item              | Thread item  |
| 00: None                 | 01: PT male  |
| 40: 5kg/cm <sup>2</sup>  | 03: PF male  |
| 42: 10kg/cm <sup>2</sup> | 06: BSP male |
| 48: 150Lbs               | 07: NPT male |
| 49: 300Lbs               |              |
| 57: PN 10                |              |
| 58: PN 16                |              |

**㉗ ㉘ Wetted part material** \_\_\_\_\_

- MA: SUS304
- MB: SUS316
- MC: SUS316L



EFM2 <sup>05</sup> <sup>06</sup> <sup>07</sup> <sup>08</sup> - <sup>09</sup> <sup>10</sup> <sup>11</sup> <sup>12</sup> <sup>13</sup> <sup>14</sup> <sup>15</sup> <sup>16</sup> <sup>17</sup> <sup>18</sup> <sup>19</sup> <sup>20</sup> <sup>21</sup> <sup>22</sup> <sup>23</sup> <sup>24</sup> <sup>25</sup> <sup>26</sup> <sup>27</sup> <sup>28</sup> <sup>29</sup> <sup>30</sup> <sup>31</sup> <sup>32</sup> <sup>33</sup> <sup>34</sup>

<sup>28</sup> <sup>29</sup> <sup>30</sup> <sup>31</sup> **Length(C-C)**

Code	Length
0150~3000	150~3000mm

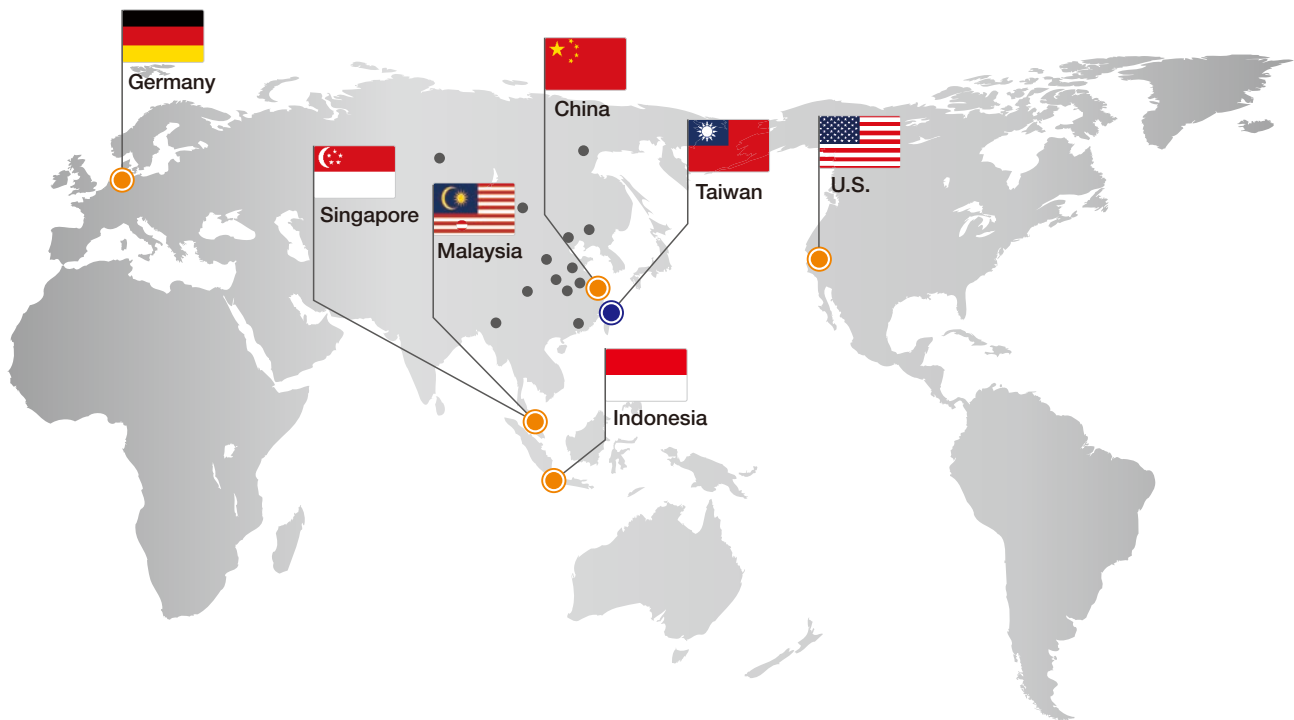
<sup>32</sup> <sup>33</sup> **Float Typt**

- 00: None
- N1: OD28\*105

<sup>34</sup> **Flag Indicator**

- 00: None
- A: Flag (Small)(140°C)
- B: Flag (Small)(200°C)

# Global Network



## ■ Asia

### ● Taiwan

#### **FineTek Co., Ltd. - Taipei Head Quarter**

No.16, Tzuchiang St., Tucheng Industrial Park  
New Taipei City 236, Taiwan  
TEL: 886-2-2269-6789  
FAX: 886-2-2268-6682  
EMAIL: info@fine-tek.com

### ● China

#### **Fine automation Co., Ltd. - Shanghai Factory**

No.451 DuHui Rd, MinHang District, Shanghai,  
China 201109  
TEL: 86-21-6490-7260  
EMAIL: info.sh@fine-tek.com

### ● Singapore

#### **FineTek Pte Ltd. - Singapore Office**

No. 60 Kaki Bukit Place, #07-06 Eunos  
Techpark 2 Lobby B, Singapore 415979  
TEL: 65-6452-6340  
EMAIL: info.sg@fine-tek.com

### ● Indonesia

#### **FineTek Co., Ltd. - Indonesia Office**

Ruko Golden 8 Blok H No.38  
Gading Serpong, Tangerang, Indonesia  
TEL: 62 (021)-2923-1688  
EMAIL: info.id@fine-tek.com

### ● Malaysia

#### **FineTek Co., Ltd. - Malaysia Office**

8-05, Plaza Azalea, Persiaran Bandaraya,  
Seksyen 14, 40000 Shah Alam, Selangor, Malaysia  
TEL: 603-5524-7168  
EMAIL: info.my@fine-tek.com

## ■ North America

### ● California, U.S.

#### **Aplus Finetek Sensor Inc. - US Office**

355 S. Lemon Ave, Suite D, Walnut,  
CA 91789  
TEL: 1 909 598 2488  
FAX: 1 909 598 3188  
EMAIL: info@aplusfine.com

## ■ Europe

### ● Germany

#### **FineTek GmbH - Germany Office**

Bei den Kämpen 26  
21220 Seevetal-Ramelsloh, Germany  
TEL: +49-(0)4185-8083-12  
FAX: +49-(0)4185-8083-80  
EMAIL: info@fine-tek.de

### ● Mütec Instruments GmbH - Germany Office

Bei den Kämpen 26  
21220 Seevetal-Ramelsloh, Germany  
TEL: +49-(0)4185-8083-0  
FAX: +49-(0)4185-8083-80  
EMAIL: muetec@muetec.de



Distributor: