

Lighting: LED Lighting Fixture, NFDR Series



A QUALITY PRODUCT

Zone 2 – 21



Specification

Body material : Marine grade copper-free aluminium alloy with polyester powder coated, RAL 7032 (grey)
 Lens : Heat and impact resistant clear glass
 Bolts : Stainless steel
 Sealing gasket : Silicone -40 °C to +175 °C

Electrical Rated

Lumens Per Watt : 90 lm/W
 Colour temperature : 5700 K
 Beam Angle : Lens of 60°- 90°

Technical Data

Hazardous Area	Gas	Dust
Zones	1 & 2	21
Conforming to ATEX	⊕ II 3G	⊕ II 3D
Symbol of Protection ATEX	Ex nRc II Gc	Ex tb IIIC Db
Symbol of Protection IEC		
ATEX Certificate	TÜV CY 16 ATEX xxxx	
Standard	ATEX Directive 2014/34/EU, std. EN 60079-0:2012 + A11:2013, EN 60079-15:2010, EN 60079-31:2014, IECEx Scheme, std. IEC 60079-0:2011, IEC 60079-15:2010, IEC 60079-31:2013	
Ambient Temperature	-20 °C to +55 °C	
Index of Protection	IP66	
Entries	M25x1.5 or Ø3/4" NPT	
Mounting	Ceiling, Wall, Pendant or Stanchion mounting	
Connection	L, N and E ; for 1-4mm. ² cable	
Rated Voltage	220/ 230V.AC.±5% 50Hz.	

Catalogue Number

NFDR - XXX □

Series: Lamp Watt: (see catalogue number table) Mounting: C = Ceiling S30 = Stanchion, 30 degree Angle P = Pendant S90 = Stanchion, Straight W = Wall

Ceiling Mounting

Pendant Mounting



Lamp Watt	Cat. No.	Voltage	Temp. Class (for zone 2)		Max. Surface Temp* (for zone 21)	
			Ta 40 °C	Ta 55 °C	Ta 40 °C	Ta 55 °C
40W.	NFDR-40 □	110-240V.	T6	T6	T85°C	T85°C
60W.	NFDR-60 □	50/60Hz.				
80W.	NFDR-80 □					
100W.	NFDR-100 □					
120W.	NFDR-120 □					
150W.	NFDR-150 □					

Wall Mounting

Stanchion Mounting ; 30 degree angle

Stanchion Mounting ; Straight



Remark* : The maximum surface temperatures are specified for dust free condition. The dust layer which may cover around the lighting fixture will affect to higher surface temperature.

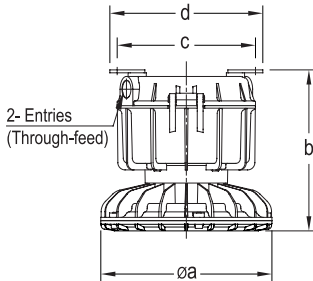
Lighting: LED Lighting Fixture, NFDR Series



Zone 2 – 21

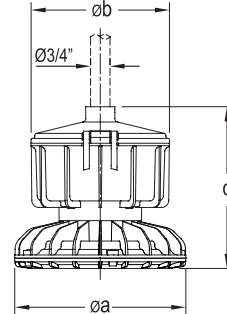
Dimension

Ceiling Mounting



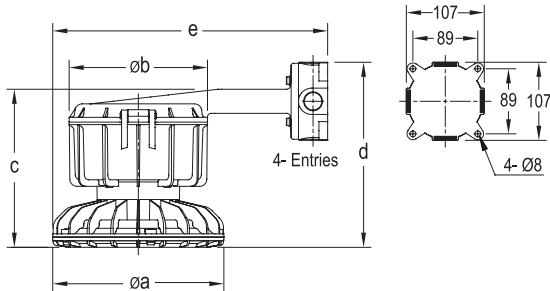
Cat. No.	Dimension in mm.				Approx. Weight (kgs.)
	øa	b	c	d	
NFDR-40C NFDR-60C NFDR-80C	235	221	190	210	7.0
NFDR-100C NFDR-120C NFDR-150C	340	200	270	300	8.3

Pendant Mounting



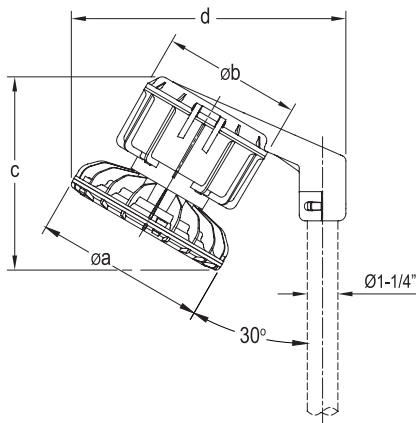
Cat. No.	Dimension in mm.			Approx. Weight (kgs.)
	øa	øb	c	
NFDR-40P NFDR-60P NFDR-80P	235	190	222	7.0
NFDR-100P NFDR-120P NFDR-150P	340	270	200	8.3

Wall Mounting



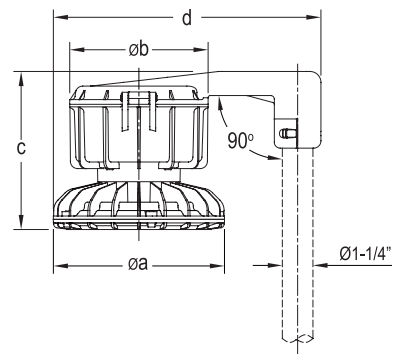
Cat. No.	Dimension in mm.					Approx. Weight (kgs.)
	øa	øb	c	d	e	
NFDR-40W NFDR-60W NFDR-80W	235	190	217	254	378	7.0
NFDR-100W NFDR-120W NFDR-150W	340	270	195	232	470	8.3

Stanchion Mounting ; 30 degree angle



Cat. No.	Dimension in mm.				Approx. Weight (kgs.)
	øa	øb	c	d	
NFDR-40S30 NFDR-60S30 NFDR-80S30	235	190	265	377	7.0
NFDR-100S30 NFDR-120S30 NFDR-150S30	340	270	292	446	8.3

Stanchion Mounting ; Straight



Cat. No.	Dimension in mm.				Approx. Weight (kgs.)
	øa	øb	c	d	
NFDR-40S90 NFDR-60S90 NFDR-80S90	235	190	217	367	7.0
NFDR-100S90 NFDR-120S90 NFDR-150S90	340	270	195	462	8.3