

Lighting: LED Floodlight (Round Shape), DFDR Series



Flameproof
Zone 1 & 2 – 21 & 22

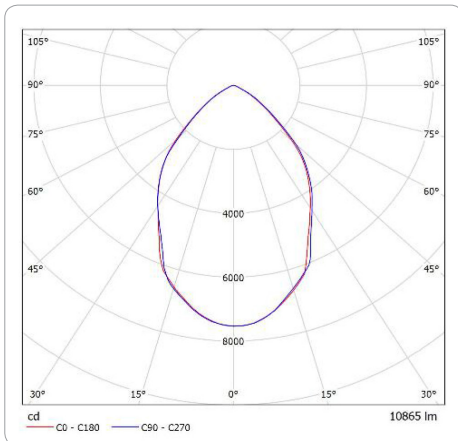
Specification

Body material : Marine grade copper-free aluminium alloy with polyester powder coated, RAL 7032 (grey)
 Lens : Heat and impact resistant clear glass
 Bracket, bolts : Stainless steel
 Sealing gasket : Silicone -40 °C to +175 °C

Electrical Rated

Lumens Per Watt : 97 lm/W
 Colour temperature : 5700 K
 Beam Angle : Lens of 60° - 90°

Polar curve



Technical Data

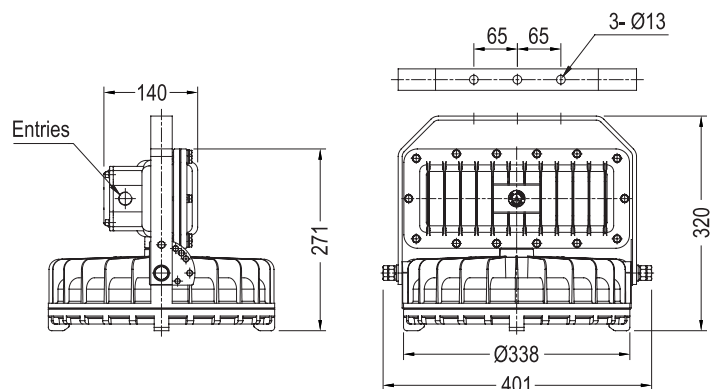
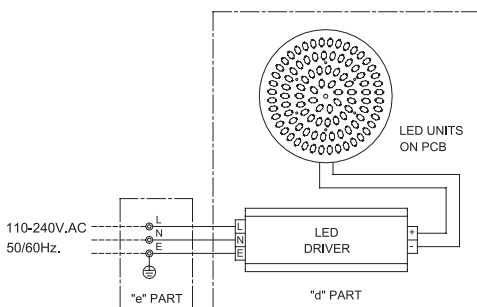
Hazardous Area	Gas	Dust
Zones	1 & 2	21 & 22
Conforming to ATEX	Ex II 2G	Ex II 2D
Symbol of Protection ATEX	Ex db eb IIB Gb	Ex tb IIIC Db
Symbol of Protection IEC		
ATEX Certificate	TÜV CY 16 ATEX xxxx	
Standard	ATEX Directive 2014/34/EU, std. EN 60079-0:2012 + A11:2013, EN 60079-1:2014, EN 60079-7:2007, EN 60079-31:2014	
Ambient Temperature	-20 °C to +50 °C	
Index of Protection	IP66	
Entries	2 - M25x1.5 or 2 - Ø3/4" NPT Through-feed (1-plug)	
Mounting	Bracket mounting	
Connection	L, N and E ; for 1-4mm. ² cable	
Rated Voltage	110-240V.AC.±5% 50/60Hz.	



Catalogue Number and Dimension

Lamp Watt	Cat. No.	Voltage	Temp. Class (for zone 1, 2)		Max. Surface Temp* (for zone 21, 22)		Approx. Weight (kgs.)
			Ta 40 °C	Ta 50 °C	Ta 40 °C	Ta 50 °C	
30W.	DFDR-30	110-240V.	T6	T6	T85°C	T85°C	14.5
40W.	DFDR-40	50/60Hz.					
50W.	DFDR-50						
60W.	DFDR-60						
70W.	DFDR-70						
80W.	DFDR-80						
100W.	DFDR-100						
120W.	DFDR-120						
150W.	DFDR-150						

Diagram



Remark* : The maximum surface temperatures are specified for dust free condition. The dust layer which may cover around the lighting fixture will affect to higher surface temperature.