

Lighting: Incandescent and Compact Fluorescent Lighting Fixture, DLF Series



**Flameproof
Zone 1 & 2 – 21 & 22**

Specification

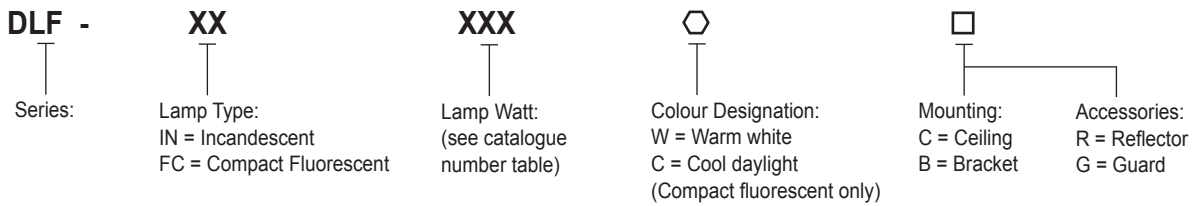
- Body material : Marine grade copper-free aluminium alloy with polyester powder coated, RAL 7032 (Grey)
- Glass globe : Borosilicate glass
- Sealing gasket : Silicone -40 °C to +175 °C
- Reflector (option) : Anodized aluminium
- Basket guard (option) : Stainless steel



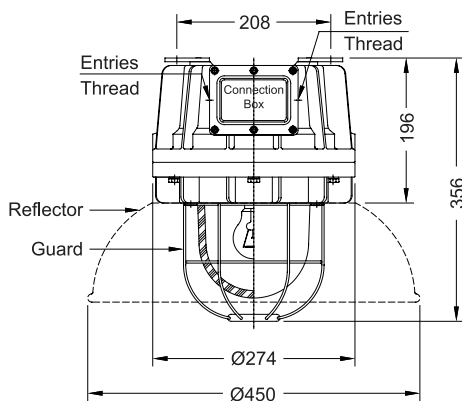
Technical Data

Hazardous Area	Gas	Dust
Zones	1 & 2	21 & 22
Conforming to ATEX	Ex II 2G	Ex II 2D
Symbol of Protection ATEX	Ex de IIB (Ex db eb IIB Gb)	Ex tD A21 (Ex tb IIIC Db)
Symbol of Protection IEC		
ATEX Certificate	PTB 08 ATEX 1096 X	
Standard	ATEX Directive 94/9/EC, std. EN 60079-0:2006, EN 60079-1:2007, EN 60079-7:2007, EN 61241-0:2006, EN 61241-1:2004	
Ambient Temperature	-20 °C to +55 °C	
Index of Protection	IP66	
Entries	2 - M25x1.5 or 2 - Ø3/4" NPT (1-plug)	
Mounting	Ceiling or Bracket mounting (standard)	
Connection	L, N and E ; for 1-4mm. ² cable (socket terminal)	
Rated Voltage	220/ 230V.AC.±5% 50Hz.	

Catalogue Number and Dimension

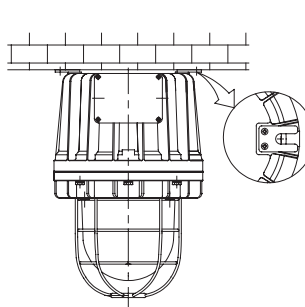


Lamp Watt	Cat. No.	Lamp Model	Voltage	Temp. Class (for zone 1, 2)		Max. Surface Temp (for zone 21, 22)		Entries		Approx. Weight (kgs.)
				Ta 40 °C	Ta 50 °C	Ta 40 °C	Ta 50 °C	NPT	Metric	
Incandescent										
60W.	DLF-IN60 □	"Philips"	220V. 50Hz.	T6	T5	T80°C	T90°C	Ø3/4"	M25x1.5	13.0
100W.	DLF-IN100 □	GLS Clear		T5	T4	T95°C	T110°C			
150W.	DLF-IN150 □	"Super Lamp"	220V. 50Hz.	T4	T4	T110°C	T125°C	Ø3/4"	M25x1.5	13.0
200W.	DLF-IN200 □			T4	T4	T120°C	T135°C			
Compact Fluorescent										
10W.	DLF-FC10 ○ □	"Philips"	220V. 50Hz.	T6	T6	T65°C	T90°C	Ø3/4"	M25x1.5	13.0
13W.	DLF-FC13 ○ □	PL-C (with Ballast)								
18W.	DLF-FC18 ○ □									



Mounting

Ceiling Mounting



Bracket Mounting

