

Fixture Hangers: Flexible Cushion Fixture Hanger, ECH series



**Flameproof
Zone 1 & 2 – 22**

Application

The ECH flexible cushion fixture hangers are used for zone 1, 2 and zone 22 hazardous areas

- for suspension of H.I.D., fluorescent or incandescent lighting fixtures.
- to protect the fixture, stem and to support outlet box from damage in an accidental shock or vibration.

Specification

Body material : Marine grade copper-free aluminium alloy with polyester powder coated, RAL 7032 (Grey)

Technical Data

Hazardous Area	Gas	Dust
Zones	1 & 2	22
Conforming to ATEX	II 2G	II 2D
Symbol of Protection ATEX	Ex db IIB Gb	Ex tc IIIC Dc
Symbol of Protection IEC		
Standard	ATEX Directive 2014/34/EU, std. EN 60079-0:2012, EN 60079-1:2014, EN 60079-31:2014	
	IECEx Scheme, std. IEC 60079-0:2011, IEC 60079-1:2014, IEC 60079-31:2013	
Ambient Temperature	-20 °C to +75 °C	
Index of Protection	IP54	

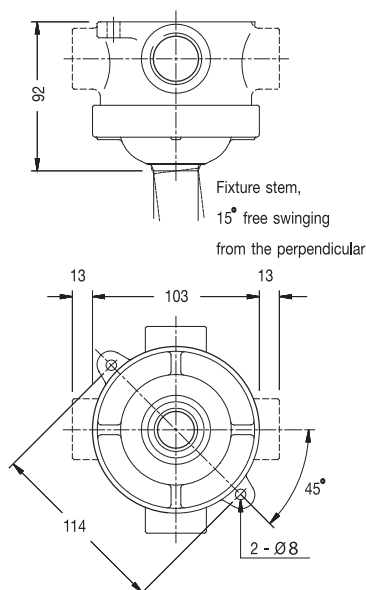
Catalogue Number and Dimension



ECH	X	X	X
Series	Type: C = 2-hubs straight T = 3-hubs L = 2-hubs angle X = 4-hubs	Entries: 1 = 1/2" NPT 2 = 3/4" NPT	Fixture stem: 1 = 1/2" NPT 2 = 3/4" NPT

Cat. No.	Diagram	Entries Thread	Fixture Stem Size	Volume (dm ³)	Approx. Weight (kgs.)
2- Hubs straight					
ECHC 11		1/2" NPT	1/2" NPT	0.39	0.766
ECHC 12		1/2" NPT	3/4" NPT	0.39	0.764
ECHC 21		3/4" NPT	1/2" NPT	0.39	0.837
ECHC 22		3/4" NPT	3/4" NPT	0.39	0.835
3- Hubs					
ECHT 11		1/2" NPT	1/2" NPT	0.40	0.885
ECHT 12		1/2" NPT	3/4" NPT	0.40	0.873
ECHT 21		3/4" NPT	1/2" NPT	0.40	0.887
ECHT 22		3/4" NPT	3/4" NPT	0.40	0.865
2- Hubs angle					
ECHL 11		1/2" NPT	1/2" NPT	0.39	0.766
ECHL 12		1/2" NPT	3/4" NPT	0.39	0.764
ECHL 21		3/4" NPT	1/2" NPT	0.39	0.837
ECHL 22		3/4" NPT	3/4" NPT	0.39	0.835
4- Hubs					
ECHX 11		1/2" NPT	1/2" NPT	0.40	0.898
ECHX 12		1/2" NPT	3/4" NPT	0.40	0.888
ECHX 21		3/4" NPT	1/2" NPT	0.40	0.868
ECHX 22		3/4" NPT	3/4" NPT	0.40	0.858

Dimension



Note : For entries by conduit, the sealing fitting and compound (flame arresting element) shall be used at the point of entries to lighting fixture.