

Fixture Hangers: Fixture Hanger, EAH series



**Flameproof
Zone 1 & 2 – 22**

Application

The EAH fixture hangers are designed for suspension or pipe pendant mounting of the lighting fixtures. They are suitable for use in zone 1, 2 and zone 22 explosive atmospheres.

Specification

Body material : Marine grade copper-free aluminium alloy with polyester powder coated, RAL 7032 (Grey)



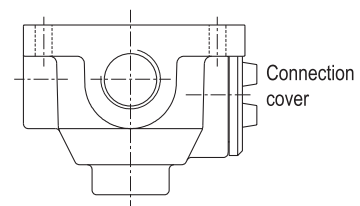
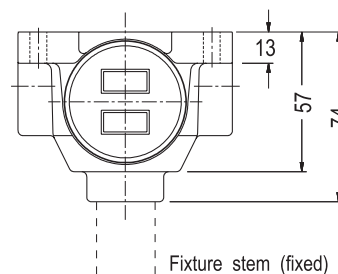
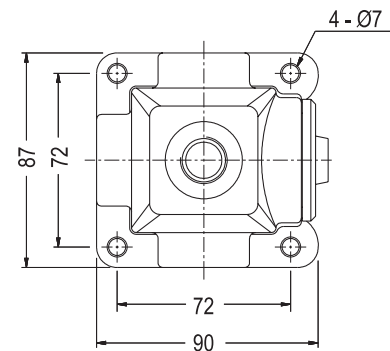
Technical Data

Hazardous Area	Gas	Dust
Zones	1 & 2	22
Conforming to ATEX	Ex II 2G	Ex II 2D
Symbol of Protection ATEX	Ex db IIB Gb	Ex tc IIIC Dc
Symbol of Protection IEC		
Standard	ATEX Directive 2014/34/EU, std. EN 60079-0:2012, EN 60079-1:2014, EN 60079-31:2014	
	IECEX Scheme, std. IEC 60079-0:2011, IEC 60079-1:2014, IEC 60079-31:2013	
Ambient Temperature	-20 °C to +75 °C	
Index of Protection	IP54	

Catalogue Number and Dimension

EAH	X	X	X
Series	Type: C = 2-hubs straight T = 3-hubs	Entries: 1 = 1/2" NPT 2 = 3/4" NPT	Fixture stem: 1 = 1/2" NPT 2 = 3/4" NPT

Cat. No.	Diagram	Entries Thread	Fixture Stem Size	Volume (dm ³)	Approx. Weight (kgs.)
2- Hubs straight					
EAHC 11		1/2" NPT	1/2" NPT	0.10	0.708
EAHC 12		1/2" NPT	3/4" NPT	0.11	0.708
EAHC 21		3/4" NPT	1/2" NPT	0.11	0.698
EAHC 22		3/4" NPT	3/4" NPT	0.12	0.688
3- Hubs					
EAHT 11		1/2" NPT	1/2" NPT	0.11	0.786
EAHT 12		1/2" NPT	3/4" NPT	0.12	0.786
EAHT 21		3/4" NPT	1/2" NPT	0.13	0.778
EAHT 22		3/4" NPT	3/4" NPT	0.13	0.775



Note : For entries by conduit, the sealing fitting and compound (flame arresting element) shall be used at the point of entries to lighting fixture.