

Enclosure: Empty Enclosure (Threaded Cover), DGR2 Series



Flameproof Zone 1 & 2 – 21 & 22

Application

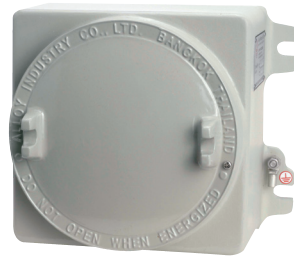
The DGR2 enclosures are designed for installation of electrical or control devices for used in zone 1, 2 and zone 21, 22 hazardous areas. They are 2-types of cover; one is a blank cover and another one is a cover with glass window.

Specification

- Body, cover : Marine grade copper-free aluminium alloy with polyester powder coated, RAL 7032 (Grey)
- Lens : Heat and impact resistant glass
- Sealing gasket : Silicone -40 °C to +175 °C

Technical Data

Hazardous Area	Gas	Dust
Zones	1 & 2	21 & 22
Conforming to ATEX	⊕ II 2G	⊕ II 2D
Symbol of Protection ATEX	Ex db IIB Gb	Ex tb IIIC Db
Symbol of Protection IEC		
T Rating	T6 (Ta 40 °C) T5 (Ta 55 °C)	NA
Surface Temp.	NA	T80°C (Ta 40 °C) T100°C (Ta 55 °C)
Standard	ATEX Directive 2014/34/EU, std. EN 60079-0:2012, EN 60079-1:2014, EN 60079-31:2014 IECEx Scheme, std. IEC 60079-0:2011, IEC 60079-1:2014, IEC 60079-31:2013	
Ambient Temperature	-20 °C to +55 °C	
Index of Protection	IP66	
Entries	NPT or Metric threads	
Mounting	Wall type	



DGR2-20B

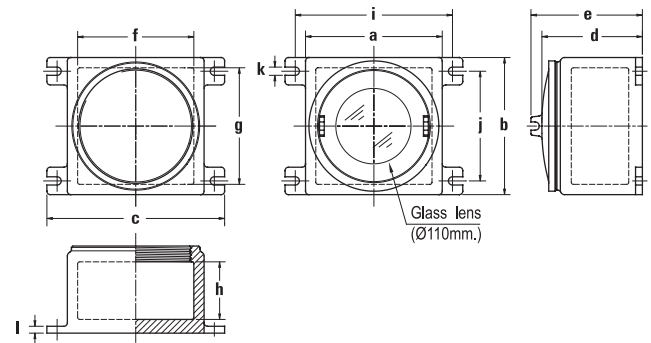
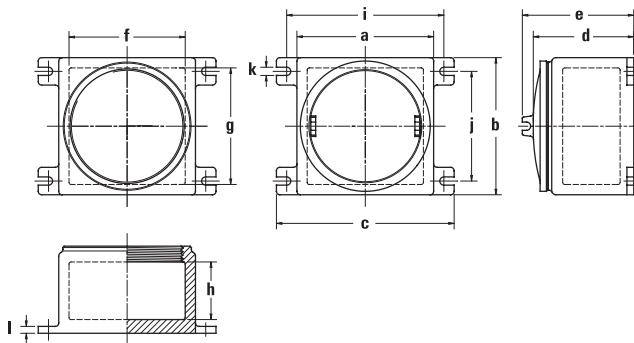


DGR2-20L

Catalogue Number and Dimension

Empty box with blank cover,
Cat. No. DGR2-20B

Empty box with glass window (110mm.),
Cat. No. DGR2-20L



Cat. No.	Dimension in mm.												Volume (dm ³)	Approx. Weight (kgs.)	Maximum entries thread size, NPT (Metric)		
	External				Internal				Mounting						Ø1/2" (M20x1.5)	Ø3/4" (M25x1.5)	Ø1" (M32x1.5)
	a	b	c	d	e	f	g	h	i	j	k	l					
DGR2 - 20B	200	200	268	156	171	170	170	91.5	238	133	12	13	3.6	6.27	2	2	1
DGR2 - 20L	200	200	268	151	172	170	170	91.5	238	133	12	13	3.6	6.79	2	2	1

Remark : In case the enclosures are supplied completely with control units or devices, they will be delivered with conformity certificate and can be used without further testing.