

Lighting: Emergency Light, EMG Series

ALLOY



A QUALITY PRODUCT

**Flameproof
Zone 1 & 2 – 21 & 22**

Specification

Body material : Marine grade copper-free aluminium alloy with polyester powder coated, RAL 7032 (grey)
Lid screws : Stainless steel
Sealing ring : Silicone -40 °C to +175 °C

Electrical

Operation : Maintained mode
Battery : Ni-Cd, 12V. 17Ah
Recharge time : 24-hours from fully discharge
Emergency duration : 2-hours

Technical Data

Hazardous Area	Gas	Dust
Zones	1 & 2	21 & 22
Conforming to ATEX	II 2G	II 2D
Symbol of Protection ATEX	Ex db IIB Gb	Ex tb IIIC Db
Symbol of Protection IEC		
Standard	ATEX Directive 2014/34/EU, std. EN 60079-0:2012 + A11:2013, EN 60079-1:2014, EN 60079-31:2014	
	IECEX Scheme, std. IEC 60079-0:2011, IEC 60079-1:2014, IEC 60079-31:2013	
Ambient Temperature	-20 °C to +55 °C	
Index of Protection	IP65	
Entries	Ø3/4" NPT at right and left side	
Mounting	Wall mount	
Rated Voltage	220V.AC. ±5% 50Hz.	

Catalogue Number and Dimension

EMG Series:
12 Output: 12 = 12V.DC.
2XX Lamp Watt: (see catalogue number table)
X Lamp type: H = Halogen LED = LED

Lamp Watt	Cat. No.	Temp. Class (for zone 1 & 2)		Max. Surface Temp (for zone 21 & 22)		Volume (dm ³)	Approx. Weight (kgs.)
		Ta 40 °C	Ta 55 °C	Ta 40 °C	Ta 55 °C		

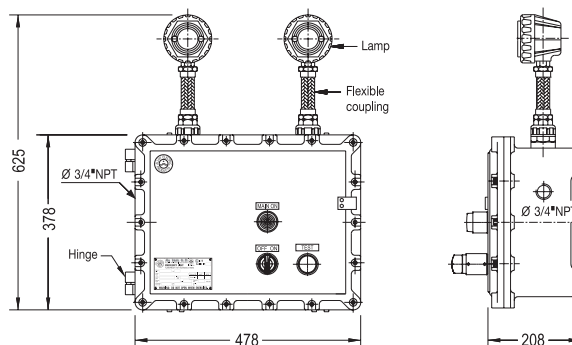
Halogen

2x 35W.	EMG 12235H	T5	T4	T100°C	T135°C	6.72	39.20
2x 50W.	EMG 12250H						40.50

LED

2x 9W.	EMG 1229LED	T5	T4	T100°C	T135°C	0.51	15.26
--------	--------------------	----	----	--------	--------	------	-------

Halogen lamp emergency light



LED lamp emergency light

