

Control Station and Control Panel: Control Station, CTE2 series



Flameproof & Increased Safety Zone 1 & 2 - 21 & 22

Application

The CTE2 control stations are used for local or remote control of motor and machine in zone 1, 2 and zone 21, 22 hazardous areas.

Specification

Body, cover : Marine grade copper-free aluminium alloy with polyester powder coated, RAL 7032 (grey)
Sealing gasket : Silicone -40 °C to +175 °C
Bolts, nuts : Stainless steel

Electrical Rating

Switch modules ; 16A. 400V. (AC 12)
10A. 400V. (AC 15)
1A. 24V. (DC 13)
690V. rated insulation voltage



Lamp modules ; LED lamp > 10⁵ hr. illuminated
AC 12V. to 250V. operating voltage
DC 12V. to 60V. operating voltage
< 1W. power consumption
300V. rated insulation voltage



Technical Data

Hazardous Area	Gas	Dust
Zones	1 & 2	21 & 22
Conforming to ATEX	II 2G	II 2D
Symbol of Protection ATEX	Ex db eb IIB Gb	Ex tb IIIC Db
Symbol of Protection IEC		
T Rating	T6 (Ta 40 °C) T5 (Ta 55 °C)	NA
Surface Temp.	NA	T80°C (Ta 40 °C) T100°C (Ta 55 °C)
Standard	ATEX Directive 2014/34/EU, std. EN 60079-0:2012, EN 60079-1:2014, EN 60079-7:2007, EN 60079-31:2014 IECEx Scheme, std. IEC 60079-0:2011, IEC 60079-1:2014, IEC 60079-7:2015, IEC 60079-31:2013	
Ambient Temperature	-20 °C to +60 °C	
Index of Protection	IP66	
Entries	Ø1/2" to Ø1" NPT (M20x1.5 to M25x1.5)	
Mounting	Wall type	

Catalogue Number

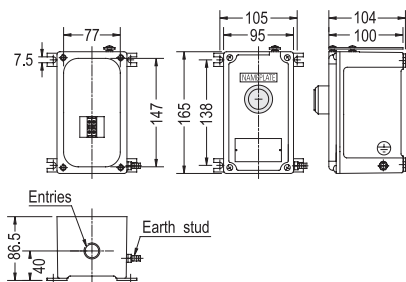
CTE2	-	X		-	XP		-	□□		-	◇◇
Series		Number of Unit Module: 1 = 1-unit 2 = 2-units 3 = 3-units 4 = 4-units			Number of Padlockable* : 00 = none 1P = 1-Padlockable 2P = 2-Padlockable 3P = 3-Padlockable			Entries (Bottom): N1 = Ø 1/2" NPT N2 = Ø 3/4" NPT N3 = Ø 1" NPT M1 = M20x1.5 M2 = M25x1.5			Terminal Block: 2T = 2-Poles 4T = 4-Poles 6T = 6-Poles 8T = 8-Poles

Number of Unit Module	Number of Padlockable *	Cat. No.	Approx. Weight (kgs.)
1	NA	CTE2 - 100 - □□◇◇	1.20
	1	CTE2 - 11P - □□◇◇	
2	NA	CTE2 - 200 - □□◇◇	1.50
	1	CTE2 - 21P - □□◇◇	
3	NA	CTE2 - 300 - □□◇◇	2.25
	1	CTE2 - 31P - □□◇◇	
	2	CTE2 - 32P - □□◇◇	
	3	CTE2 - 33P - □□◇◇	
4	NA	CTE2 - 400 - □□◇◇	2.25

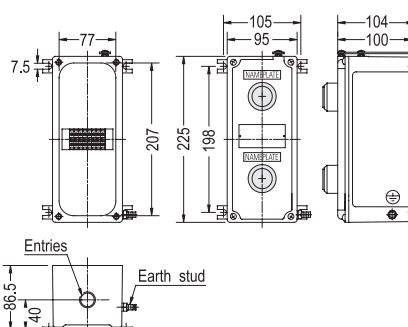
* Padlockable by pin for push buttons and/or selector switches

Dimension

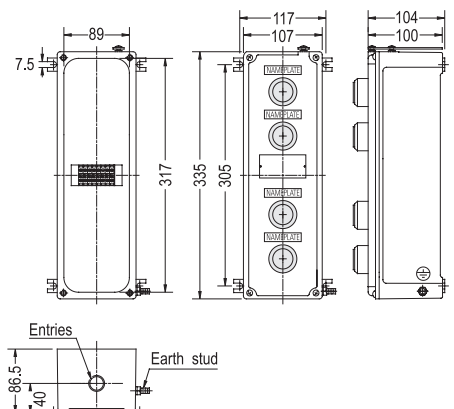
1-unit



2-units



3-4-units



Note : For selection of switch and lamp modules, please find the BARTEC 's catalogue in series 05-0003, 07-3323, and 07-3353.