

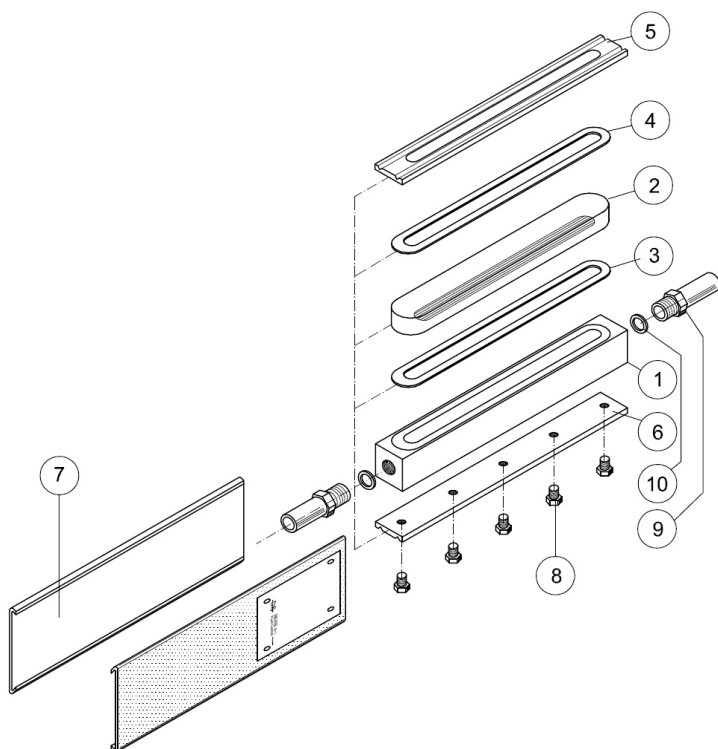


components for glass level gauges



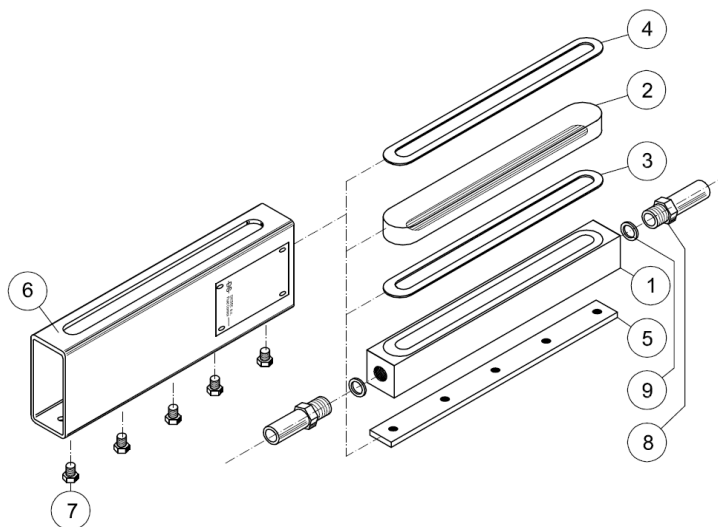
REFLEX HOUSINGS - COMPONENTS

HOUSING TYPE DS RBR / DS RBF



1. Level gauge body
2. Reflex glass DIN 7081
3. Sealing gasket
4. Cushion gasket
5. Frontal cover
6. Fixing plate
7. Lateral covers
8. Bolts
9. Grinded pipes (LG-RBR)
10. Metal gaskets (LG-RBR)
11. Vent plug (LG-RBF)
12. Metal gasket (LG-RBF)

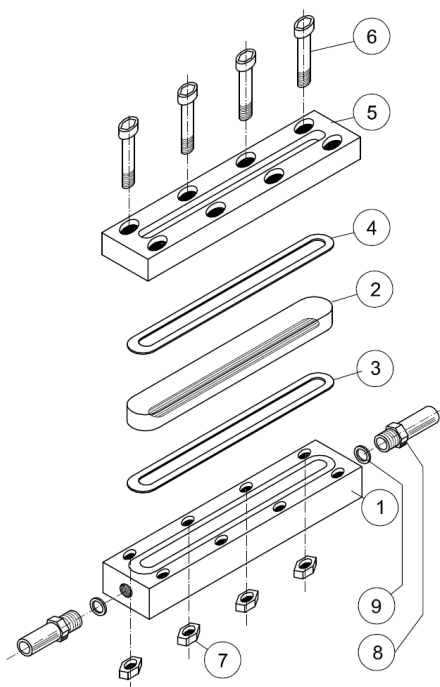
HOUSING TYPE DS RTR / DS RTF



1. Level gauge body
2. Reflex glass DIN 7081
3. Sealing gasket
4. Cushion gasket
5. Fixing plate
6. Tubular cover
7. Bolts
8. Grinded pipes (LG-RTR)
9. Metal gaskets (LG-RTR)
10. Vent plug (LG-RTF)
11. Metal gasket (LG-RTF)

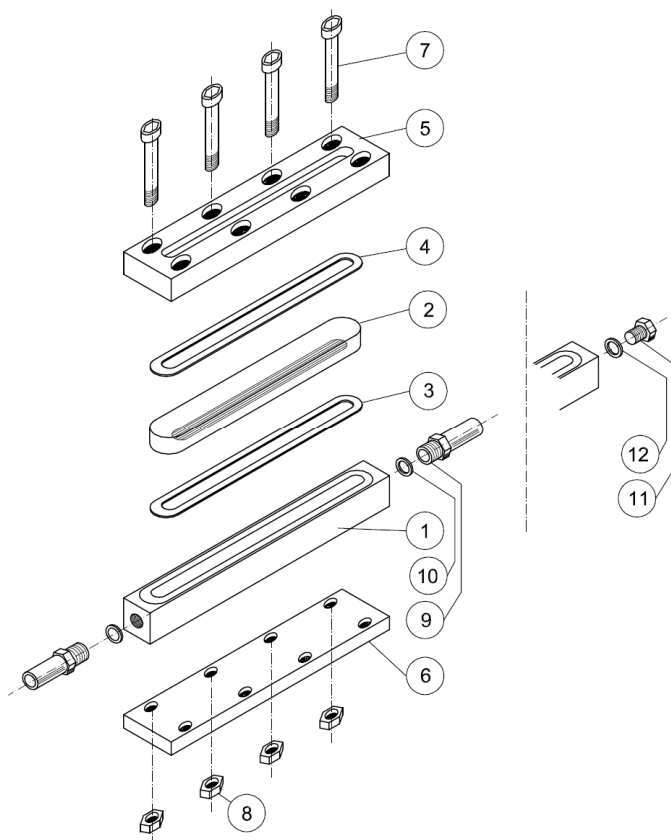
REFLEX HOUSINGS - COMPONENTS

HOUSING TYPE DS RDR



1. Level gauge body
2. Reflex glass DIN 7081
3. Sealing gasket
4. Cushion gasket
5. Cover
6. Bolts
7. Nuts
8. Grinded pipes
9. Metal gaskets

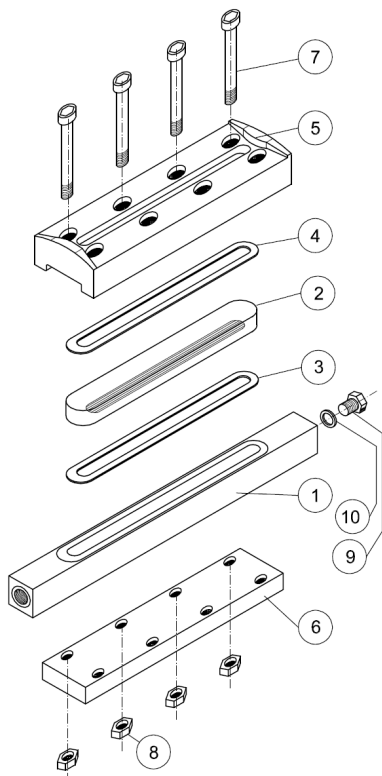
HOUSING TYPE DS RCR / DS RCF



1. Level gauge body
2. Reflex glass DIN 7081
3. Sealing gasket
4. Cushion gasket
5. Cover
6. Fixing plate
7. Bolts
8. Nuts
9. Grinded pipes (LG-RCR)
10. Metal gaskets (LG-RCR)
11. Vent plug (LG-RCF)
12. Metal gasket (LG-RCF)

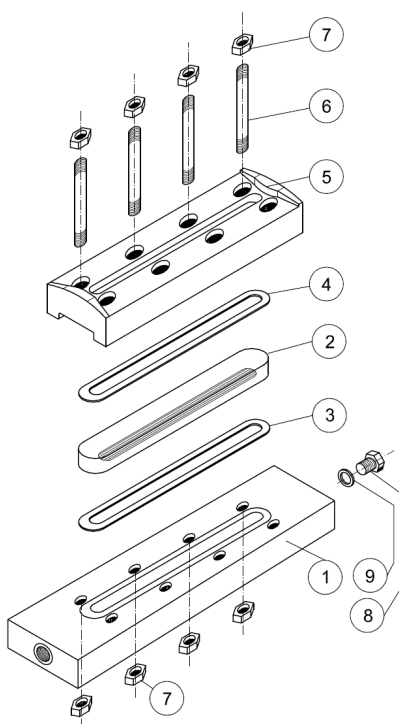
REFLEX HOUSINGS - COMPONENTS

HOUSING TYPE DS RPF



1. Level gauge body
2. Reflex glass DIN 7081
3. Sealing gasket
4. Cushion gasket
5. Cover
6. Fixing plate
7. Bolts
8. Nuts
9. Vent plug
10. Metal gasket

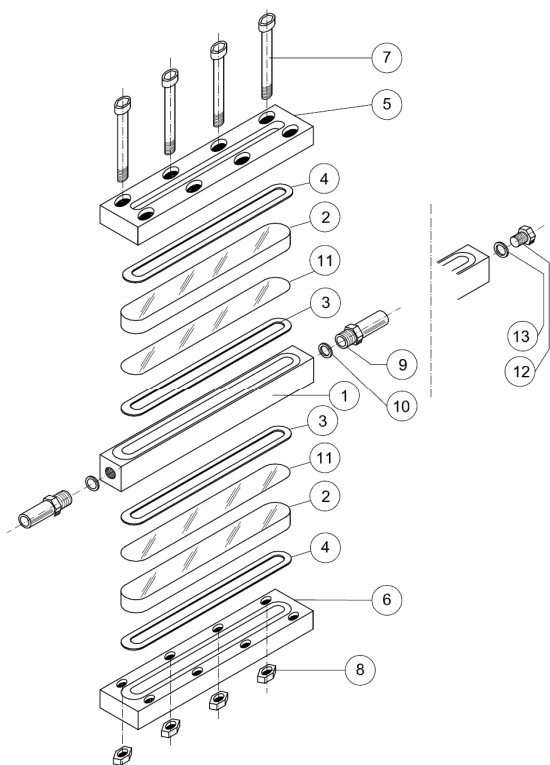
HOUSING TYPE DS RXF / DS REF



1. Level gauge body
2. Reflex glass DIN 7081
3. Sealing gasket
4. Cushion gasket
5. Cover
6. Bolts
7. Nuts
8. Vent plug
9. Metal gasket

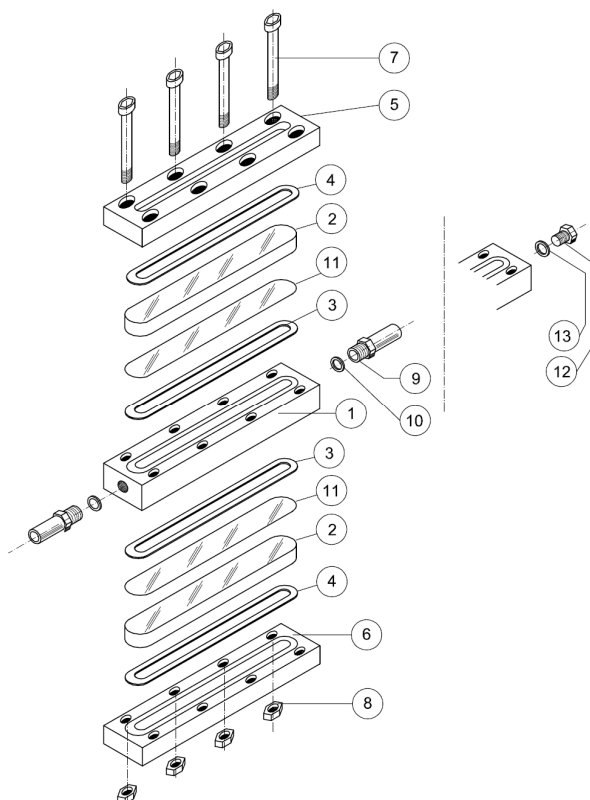
TRANSPARENT HOUSINGS - COMPONENTS

HOUSING TYPE DS TCR / DS TCF



1. Level gauge body
2. Transparent glass DIN 7081
3. Sealing gaskets
4. Cushion gaskets
5. Frontal cover
6. Back cover
7. Bolts
8. Nuts
9. Grinded pipes (LG-TCR)
10. Metal gaskets (LG-TCR)
11. Mica shields (optional)
12. Vent plug (LG-TCF)
13. Metal gasket (LG-TCF)

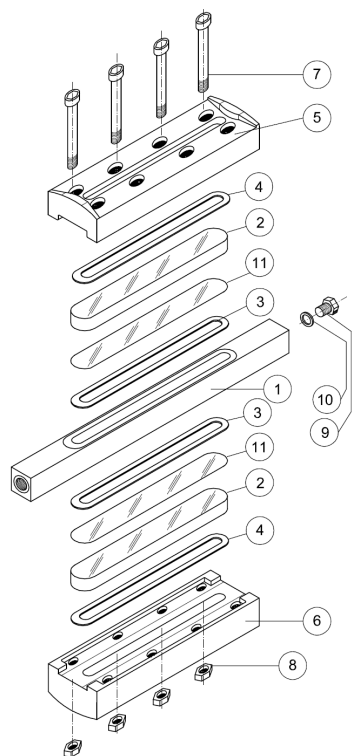
HOUSING TYPE DS TMR / DS TMF



1. Level gauge body
2. Transparent glass DIN 7081
3. Sealing gaskets
4. Cushion gaskets
5. Frontal cover
6. Back cover
7. Bolts
8. Nuts
9. Grinded pipes (LG-TMR)
10. Metal gaskets (LG-TMR)
11. Mica shields (optional)
12. Vent plug (LG-TMF)
13. Metal gasket (LG-TMF)

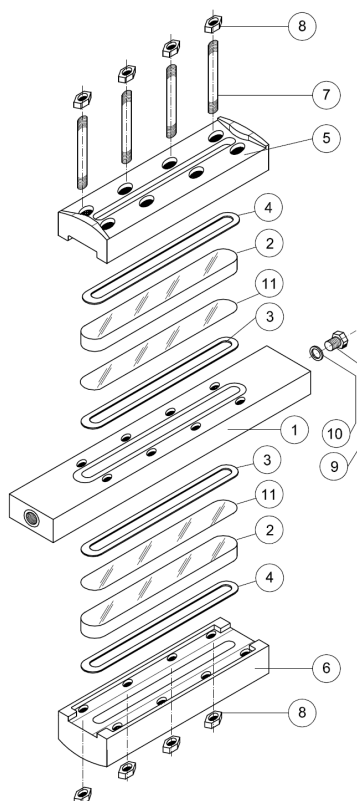
TRANSPARENT HOUSINGS - COMPONENTS

HOUSING TYPE DS TPF



1. Level gauge body
2. Transparent glass DIN 7081
3. Sealing gaskets
4. Cushion gaskets
5. Frontal cover
6. Back cover
7. Bolts
8. Nuts
9. Vent plug
10. Metal gasket
11. Mica shields (optional)

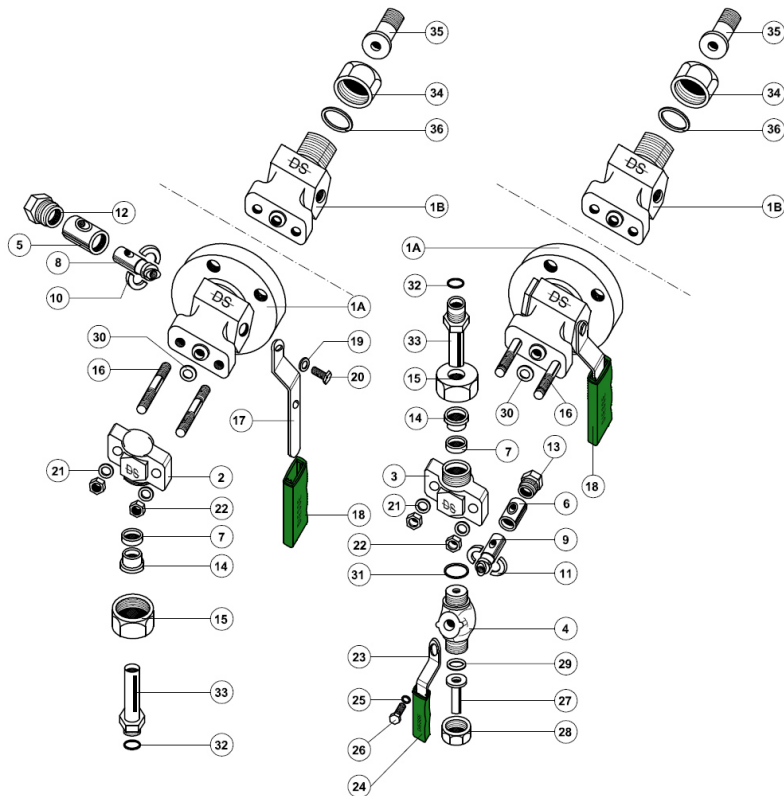
HOUSING TYPE DS TXF / DS TEF



1. Level gauge body
2. Transparent glass DIN 7081
3. Sealing gaskets
4. Cushion gaskets
5. Frontal cover
6. Back cover
7. Bolts
8. Nuts
9. Vent plug
10. Metal gasket
11. Mica shields (optional)

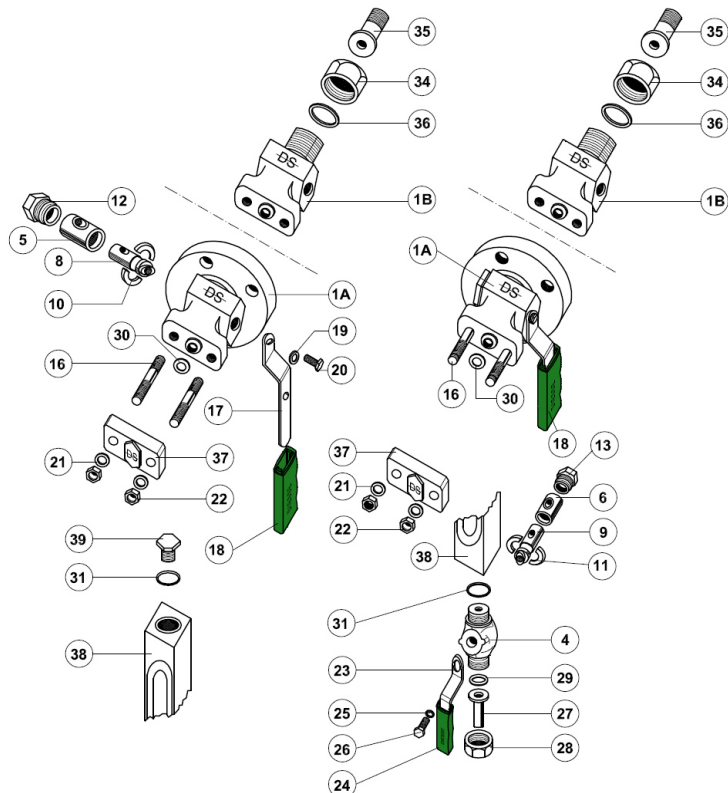
SHUT-OFF COCKS - COMPONENTS

SHUT-OFF COCKS TYPE DS GR 18 for housings with grinded pipes



- 1A. Flanged shut-off cocks body
- 1B. Threaded shut-off cocks body
- 2. Upper support
- 3. Lower support
- 4. Drain cock body
- 5. Cases $\varnothing 26 \times 18 \times 32$ mm
- 6. Case $\varnothing 18 \times 12 \times 23$ mm
- 7. Packing rings $\varnothing 23,5 \times 16 \times 10$ mm
- 8. Cylindrical plugs $\varnothing 18$ mm
- 9. Cylindrical plug $\varnothing 12$ mm
- 10. Split rings $\varnothing 26$
- 11. Split ring $\varnothing 18$
- 12. Suffing boxes 7/8"G
- 13. Suffing box 1/2"G
- 14. Stuffing boxes $\varnothing 26 \times 17 \times 11,5$ mm
- 15. Union nuts 1"G for grinded pipes
- 16. Bolts
- 17. Handles
- 18. PP covers for handles
- 19. Washers M8
- 20. Bolts M8 x 12
- 21. Washers M12
- 22. Nuts M12
- 23. Drain handle
- 24. PP cover for drain handle
- 25. Washer M6
- 26. Bolt M6 x 10
- 27. Drain pipe
- 28. Union nut 1/2"G for drain pipe
- 29. Gasket $\varnothing 18,3 \times 9,2 \times 1,5$ mm
- 30. Gaskets $\varnothing 23 \times 14,5 \times 2$ mm
- 31. Gaskets $\varnothing 27 \times 21,5 \times 1,5$ mm
- 32. Gaskets $\varnothing 14 \times 9 \times 1,5$ mm
- 33. Grinded pipes $\varnothing 16$ mm
- 34. Union nuts 1"G for threaded connections
- 35. Threaded connections
- 36. Gaskets $\varnothing 29,5 \times 13 \times 2$ mm
- 37. Fixing brackets
- 38. Level gauge body
- 39. Plugs

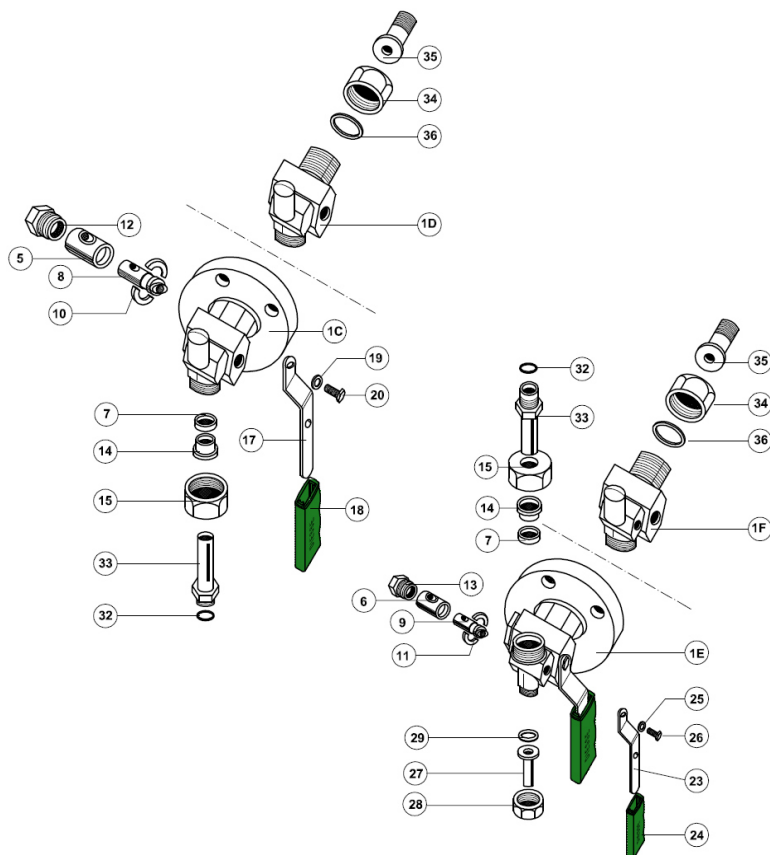
SHUT-OFF COCKS TYPE DS GR 18 for housings with fixed distance between centers



- 23. Drain handle
- 24. PP cover for drain handle
- 25. Washer M6
- 26. Bolt M6 x 10
- 27. Drain pipe
- 28. Union nut 1/2"G for drain pipe
- 29. Gasket $\varnothing 18,3 \times 9,2 \times 1,5$ mm
- 30. Gaskets $\varnothing 23 \times 14,5 \times 2$ mm
- 31. Gaskets $\varnothing 27 \times 21,5 \times 1,5$ mm
- 32. Gaskets $\varnothing 14 \times 9 \times 1,5$ mm
- 33. Grinded pipes $\varnothing 16$ mm
- 34. Union nuts 1"G for threaded connections
- 35. Threaded connections
- 36. Gaskets $\varnothing 29,5 \times 13 \times 2$ mm
- 37. Fixing brackets
- 38. Level gauge body
- 39. Plugs

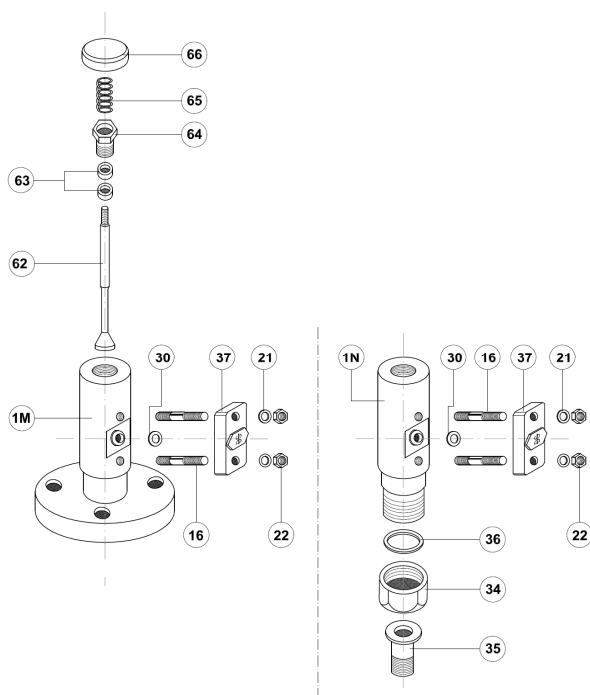
SHUT-OFF COCKS - COMPONENTS

SHUT-OFF COCKS TYPE DS MT 18 for housings with grinded pipes



- 1C. Flanged upper monolithic body
- 1D. Threaded upper monolithic body
- 1E. Flanged lower monolithic body
- 1F. Threaded lower monolithic body
- 5. Cases Ø 26 x 18 x 32 mm
- 6. Case Ø 18 x 12 x 23 mm
- 7. Packing rings Ø 23,5 x 16 x 10 mm
- 8. Cylindrical plugs Ø 18 mm
- 9. Cylindrical plug Ø 12 mm
- 10. Split rings Ø 26
- 11. Split ring Ø 18
- 12. Stuffing boxes 7/8"G
- 13. Stuffing box 1/2"G
- 14. Stuffing boxes Ø 26 x 17 x 11,5 mm
- 15. Union nuts 1"G for grinded pipes
- 17. Handles
- 18. PP covers for handles
- 19. Washers M8
- 20. Bolts M8 x 12
- 23. Drain handle
- 24. PP cover for drain handle
- 25. Washer M6
- 26. Bolt M6 x 10
- 27. Drain pipe
- 28. Union nut 1/2"G for drain pipe
- 29. Gasket Ø 18,3 x 9,2 x 1,5 mm
- 32. Gaskets Ø 14 x 9 x 1,5 mm
- 33. Grinded pipes Ø 16 mm
- 34. Union nuts 1"G for threaded connections
- 35. Threaded connections
- 36. Gaskets Ø 29,5 x 13 x 2 mm

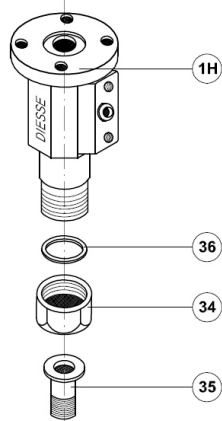
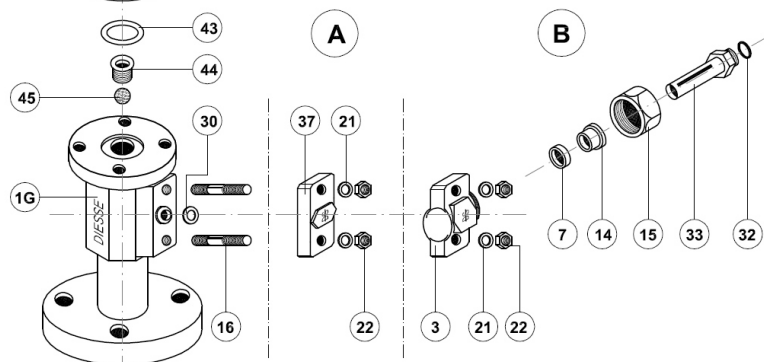
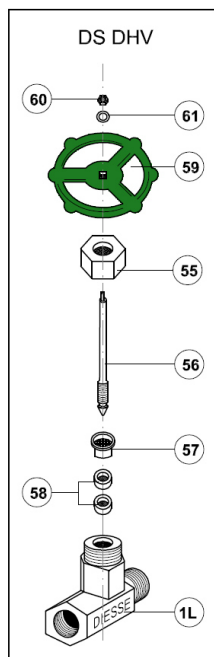
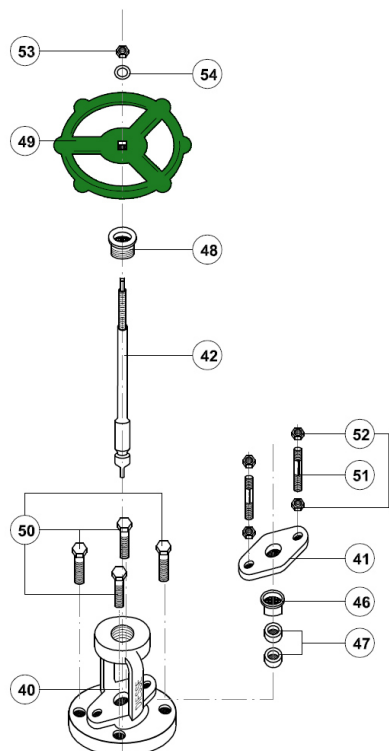
PUSH-BUTTON VALVE TYPE DS NPV



- 1M. Flanged shut-off valve body
- 1N. Threaded shut-off valve body
- 16. Bolts M12
- 21. Washers M12
- 22. Nuts M12
- 30. Gaskets Ø 23 x 14,5 x 2 mm
- 34. Union nuts 1"G for threaded connections
- 35. Threaded connections
- 36. Gaskets Ø 29,5 x 13 x 2 mm
- 37. Fixing brackets
- 62. Stem
- 63. Gaskets Ø 18,5 x 10 x 8 mm
- 64. Stuffing box
- 65. Spring
- 66. Button

SHUT-OFF COCKS - COMPONENTS

SHUT-OFF VALVES TYPE DS SHV



- 1G. Flanged shut-off valves body
- 1H. Threaded shut-off valves body
- 3. Support
- 7. Packing rings Ø 23,5 x 16 x 10 mm
- 14. Stuffing boxes Ø 26 x 17 x 11,5 mm
- 15. Union nuts 1" G for grinded pipes
- 16. Bolts M12
- 21. Washers M12
- 22. Nuts M12
- 30. Gaskets Ø 23 x 14,5 x 2 mm
- 32. Gaskets Ø 14 x 9 x 1,5 mm
- 33. Grinded pipes Ø 16 mm
- 34. Union nuts 1" G for threaded connections
- 35. Threaded connections
- 36. Gaskets Ø 29,5 x 13 x 2 mm
- 37. Fixing brackets
- 40. Bonnet
- 41. Stuffing box bracket
- 42. Stem
- 43. Gaskets Ø 47x32x3,5 mm
- 44. Seat
- 45. Safety ball
- 46. Stuffing boxes Ø 22x13,5x14 mm
- 47. Gaskets Ø 20 x 12,7 x 9 mm
- 48. Bush for stem
- 49. Handwheel
- 50. Bolts M10 x 25
- 51. Bolts M8 x 48
- 52. Nuts M8
- 53. Nuts M8
- 54. Washers M8

- 1L. Drain and/or vent valve body type DS DHV
- 55. Gland nut 3/4" G
- 56. Stem
- 57. Stuffing box Ø 18x13x10,5 mm
- 58. Gaskets Ø 18,5 x 10 x 8 mm
- 59. Handwheel
- 60. Nut M7
- 61. Washer M7

Connections to the housing body

- A Execution with fixed distance between centers
- B Execution with grinded pipes