



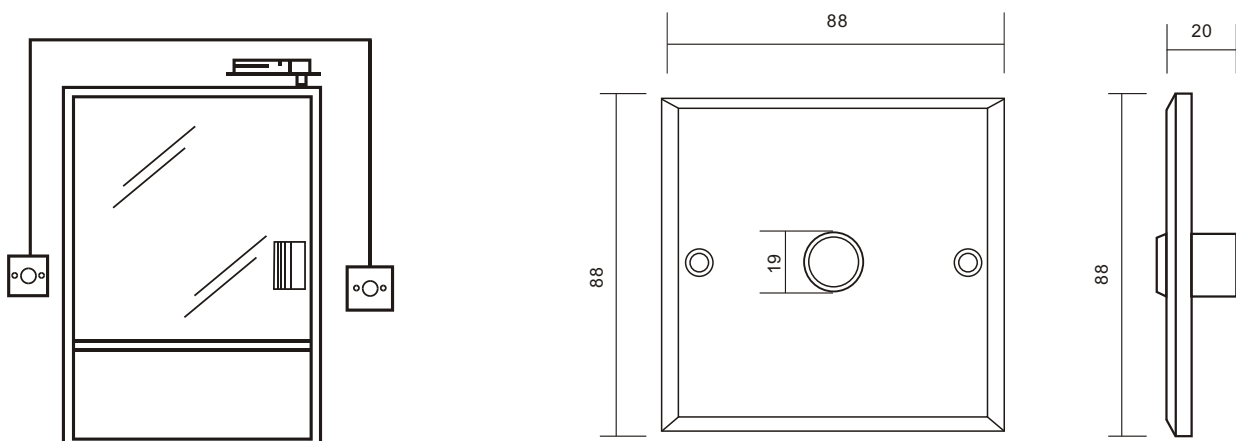
Door Release Button (Night Luminous)

Model:ABK-804

Specification

- Size: 88Lx88Wx20H(mm)
- Current Rating: 3A@36VDC Max
- Optional Accessory: ABK-801B-M
- Operating temp: 10~+55°C(14-131F)
- Color: White, Blue (luminescence)
- Panel Material: Stainless Steel Panel, Wire Drawing Finished
- Standard Structure: Stainless Steel Panel, Steel Button
- Output Contact: NO\NC\COM
- Suitable for Door: Hollow Door
- Operating Humidity: 0-95% (relative humidity)
- Weight: 0.15kg

Wiring Diagram



Installation

